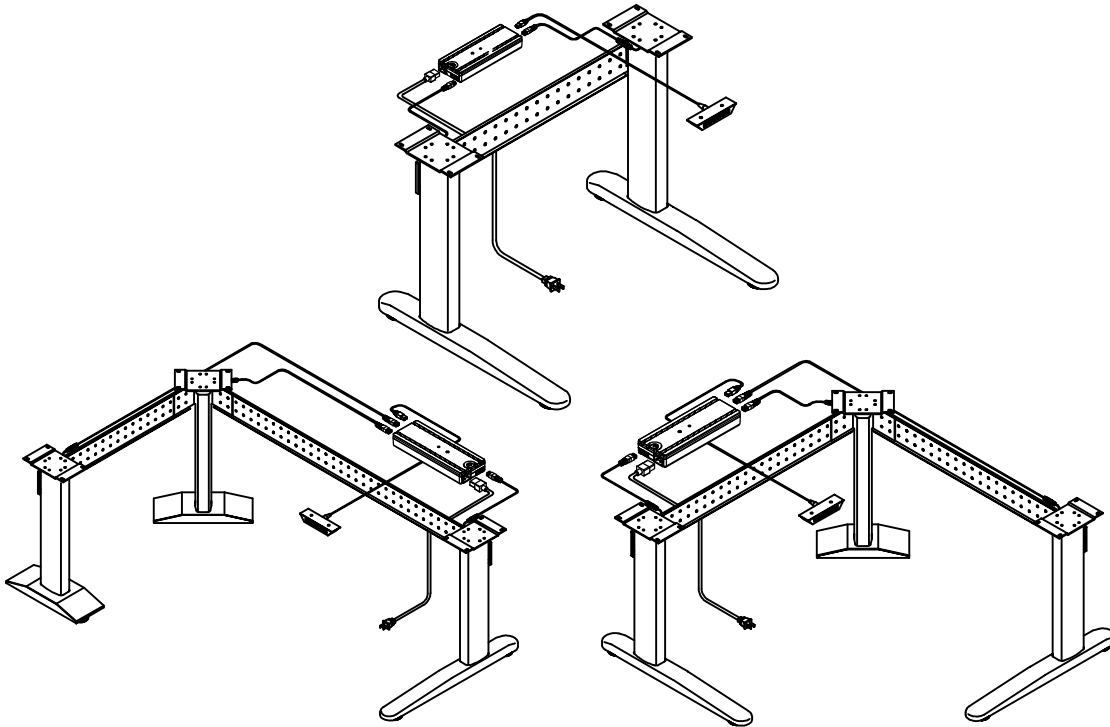


# ASSEMBLY INSTRUCTIONS DUAL AND TRIPLE COLUMN XR TELESCOPIC CROSS CHANNEL





**NOTE:** Please count and inspect all pieces before disposing of any carton or packing materials.

## COMPONENTS:

When ordering components, specific color and/or size information may be required. Contact a Mayline Customer Service Representative. 1-800-822-8037

<u>REF. #</u>	<u>QTY.</u>	<u>DESCRIPTION</u>	<u>PART No.</u>
1	VARIABLES	TELESCOPIC CHANNEL, SHORT	518CC
2	VARIABLES	TELESCOPIC CHANNEL, LONG	519CC
3	1	CORNER MOUNTING BRACKET (W/ TRIPLE COLUMN BASE ONLY)	A7292

## HARDWARE BAG (PART No. A8038) \*for individual item, order that part number

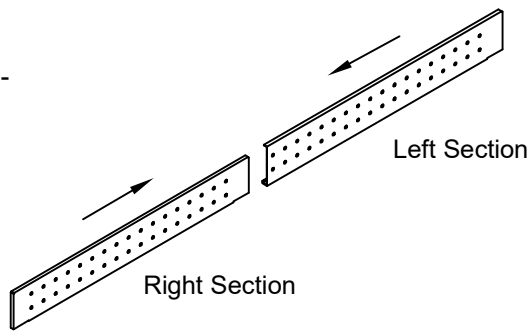
<u>REF. #</u>	<u>QTY</u>	<u>DESCRIPTION</u>	<u>PART No.</u>
H1	8	1/4-20 KEPS NUT	T126 
H2	8	1/4-20 X 1/2 SCREW	X352 



# MAYLINE®

619 N. Commerce, P.O. Box 728, Sheboygan, WI 53082-0728  
[www.mayline.com](http://www.mayline.com) 800-822-8037 Fax 920-457-7388

STEP 2-



STEP 3-

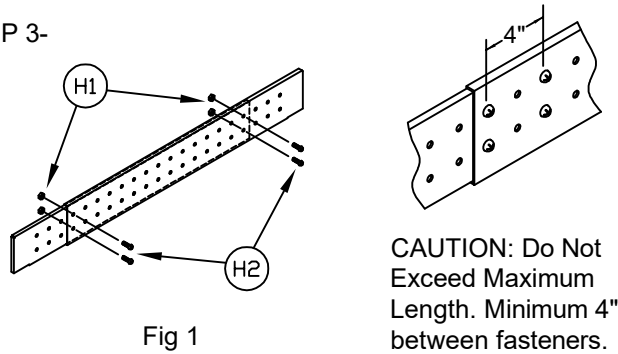


Fig 1

STEP 4-

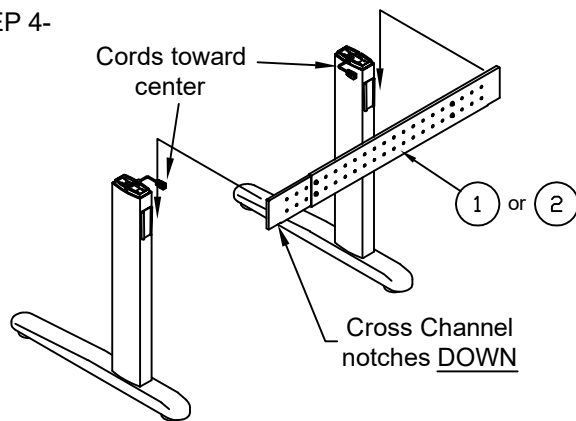


Fig 2

STEPS 5 & 6-

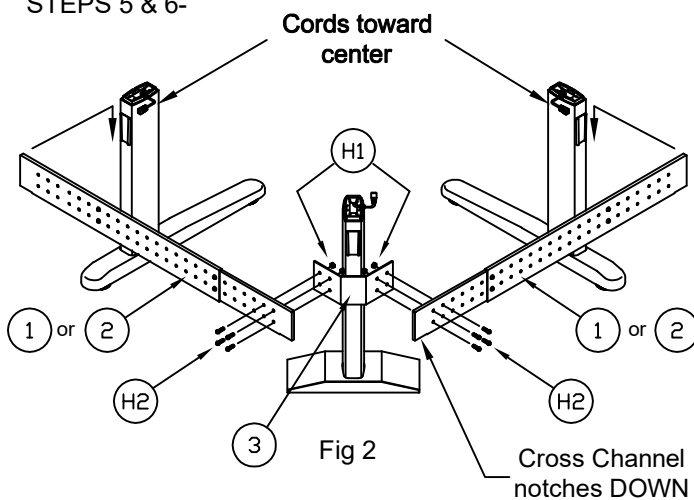


Fig 2

1. Assemble actuator to foot according to instructions supplied with base.

2. Assemble cross channel sections by sliding right channel section into left channel section. Set channel assembly to desired length from 26" Min. to 44" Max. for short channel and 46" Min. to 84" Max. for long channel. Channels can be set on 2" intervals. Length is measured from bracket to bracket.

3. Attach sections together by using (4) 1/4-20x1/2" Screws (H2) and (4) 1/2-20 Keps Nuts (H1). Position screws at outer-most holes on each channel section. See Fig 1.

Note-For a Dual column base follow Step 4 (Fig 2), For a Triple column base follow steps 5 and 6 (Fig 3).

4. Place the assembled columns upright and attach the cross channel (1) or (2). Position the cross channel flange with end notches toward the floor. Slide the cross channel bracket onto the tapered channel clip on each column. Gently tap the cross channel in place with a rubber mallet to assure a tight fit.

5. Place the outer actuator column assemblies upright and attach the cross channels (1) or (2). Position the cross channel flange with end notches toward the floor. Slide the cross channel bracket onto the tapered channel clip on each column. Gently tap the cross channels in place with a rubber mallet to assure a tight fit.

6. Place the corner bracket on the center actuator column by sliding the bracket onto the tapered channel clip on the column. Align the last 4 holes in each cross channel with the 4 holes in the corner bracket mounted to the corner actuator column and attach with (4) 1/4-20x1/2" screws (H2) and (4) 1/4-20 keps nuts (H1).

7. Continue with Base/Table assembly according to instructions supplied with base.