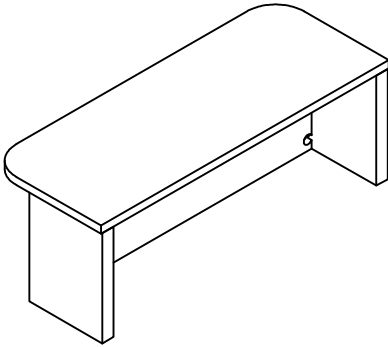


ASSEMBLY INSTRUCTIONS CSII RECEPTION AUXILIARY COUNTER

Product No's:
CS2RS30 , CS2RS78



COMPONENTS:

<u>REF. #</u>	<u>QTY.</u>	<u>DESCRIPTION</u>	<u>PART No.</u>
1	1	TOP	CALL ~**
2	1	RIGHT SIDE PANEL	L6660**
3	1	LEFT SIDE PANEL	L6661**
4	1	FRONT PANEL	CALL ~**

~~ Denotes Size
** Denotes Color Code

CS2RS78 - HARDWARE BAG (A7896)

** for individual item, order that part number*

<u>REF. #</u>	<u>QTY</u>	<u>DESCRIPTION</u>	<u>PART No.</u>
E1	9	Rafix-SE housing	X415*
E2	9	Rafix Bolt	X416*
E3	4	TAPE	E515*



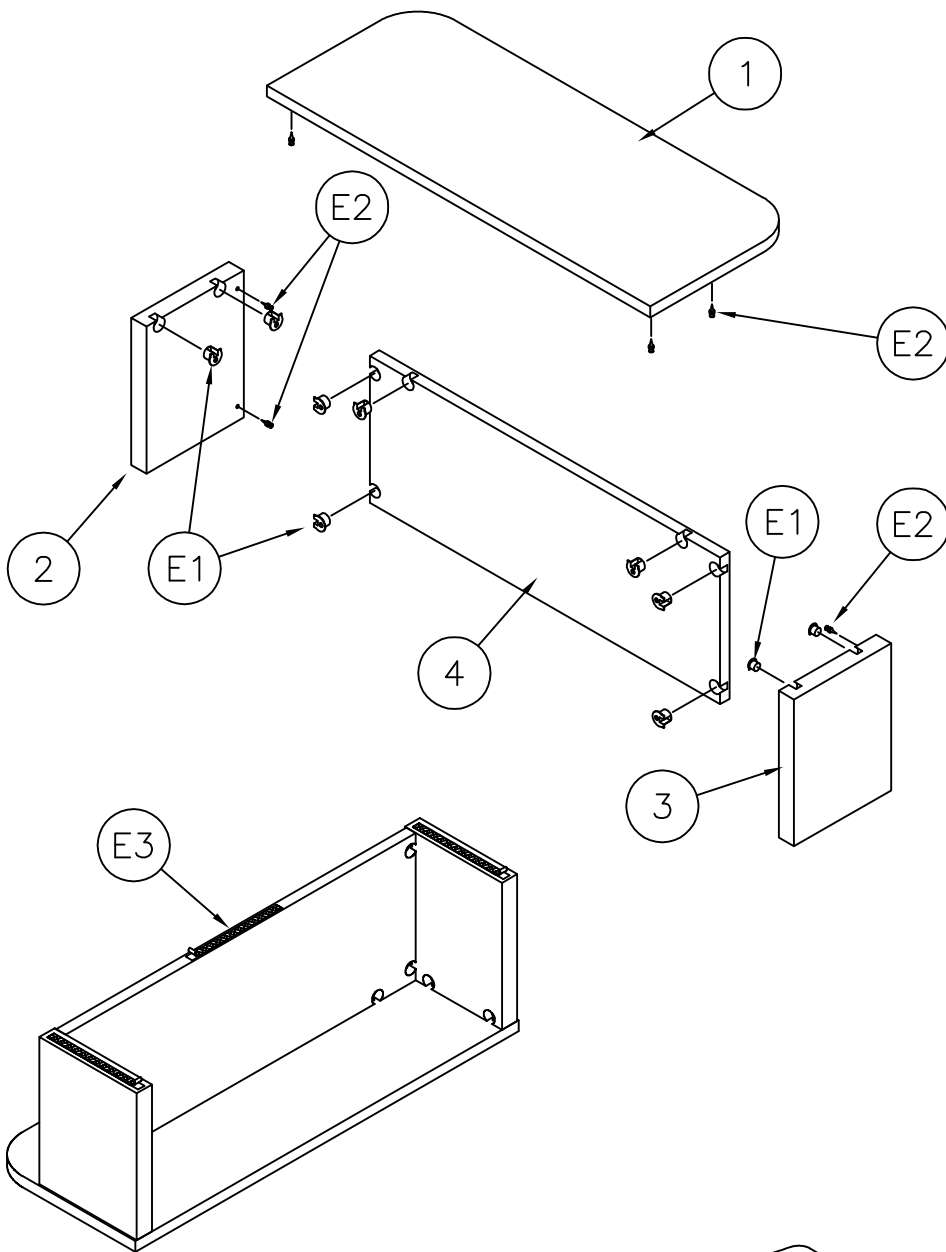
CS2RS30 - HARDWARE BAG (A7897)

** for individual item, order that part number*

<u>REF. #</u>	<u>QTY</u>	<u>DESCRIPTION</u>	<u>PART No.</u>
E1	7	Rafix-SE housing	X415*
E2	7	Rafix Bolt	X416*
E3	3	TAPE	E515*

NOTE: Please count and inspect all pieces before disposing of any carton or packing materials.

When ordering components, specific color and/or size information may be required.
Contact a Mayline Customer Service Representative. 1-800-822-8037



1. Install Rafx Bolt (E2) into the Top (1) and into the Side Panels (2 & 3). Insert Rafx-SE Housings (E1) into Front Panel (4) and into Side Panels (2 & 3).

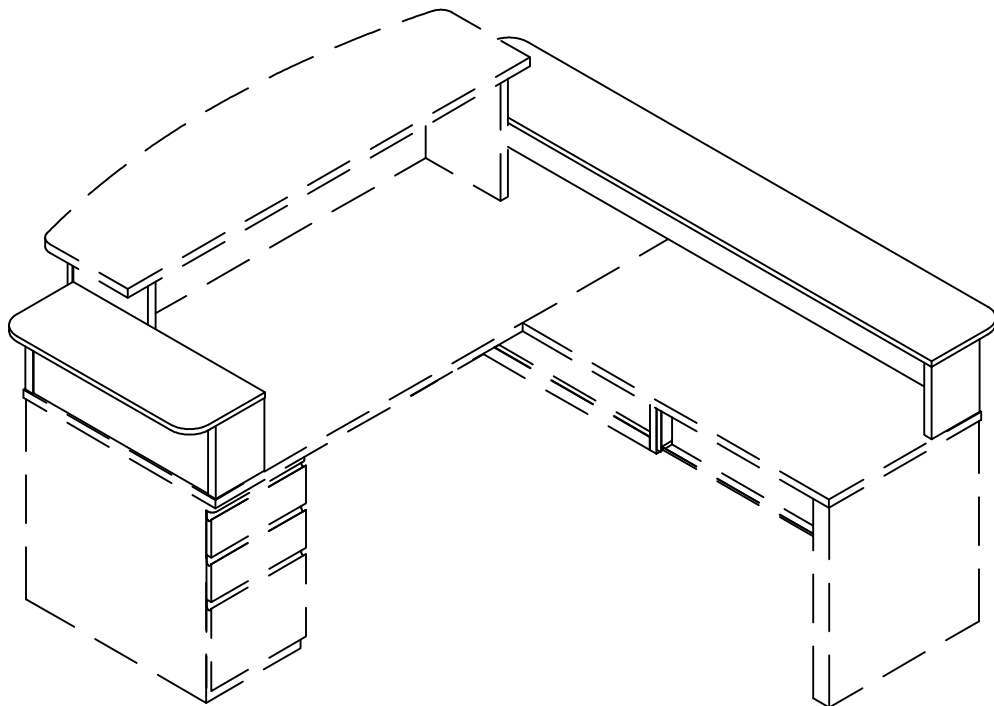
2. Secure Front Panel (4) to Side Panels (2 & 3) by turning screw in each Rafx-SE Housing (E1).

3. Secure Top (1) to side panels and front panel by turning screws in each Rafx-SE Housing (E1).

4. Apply Tape Strips (E3) to Side Panels and Front Panel.

5. Remove protective backer from Tape strips (E3).

6. Position Auxiliary Counter at desired location. Lower Auxiliary Counter assembly into position and press firmly in place.



(2)