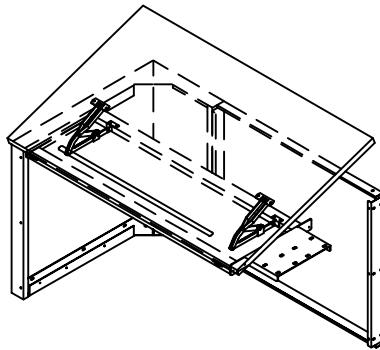


# ASSEMBLY INSTRUCTIONS

## CSII TILT TOP RETURN

CATALOG No:  
C36TR  
C42TR  
C48TR



**NOTE:** Please count and inspect all pieces before disposing of any carton or packing materials.

**COMPONENTS:** When ordering components, specific color and/or size information may be required. Contact a Mayline Customer Service Representative. 1-800-822-8037

REF. #	QTY.	DESCRIPTION	PART No.
1	1	WORK SURFACE	CALL~~**
2	1	MODESTY PANEL	CALL~~**
3	2	LEG ASSEMBLY	C731**
4	1	FRAME ASSEMBLY	CALL~~**
5	1	PENCIL STOP	600195
6	1	BRACKET	B7805**

\*\* Denotes Color Code  
~~Denotes Size

### HARDWARE BAG (PART No. A7801)

\*for individual part , order that part number

REF. #	QTY	DESCRIPTION	PART No.	REF. #	QTY	DESCRIPTION	PART No.
E1	12	#10 x 3/4 SCREW	X11*	E7	2	LOWER HINGE	B195*
E2	6	#10-24 x 3/8 SCREW	X147*	E8	2	RUBBER BUMPER	D37*
E3	6	#10-24 KEPS NUT	T2*	E9	1	RIVET	R25*
E4	2	GLIDE	Q630*	E10	1	CAP	F10*
E5	10	#10-32 x 1/2 SCREW	X204*	E11	2	LIFT ASSEMBLY	V120A*
E6	2	UPPER HINGE	B194*	E12	4	#10-32 x 1/2 FLAT HEAD SCREW	X191*

1. Place the Leg (3) on a clean surface. Position the Modesty Panel (2) next to the Leg with the four slots toward the floor. Attach the Modesty panel to the Leg with three Screws (E2) and three KEPS Nuts (E3). DO NOT TIGHTEN the screws at this time.

2. Install two Glides (E4) into Leg.

3. Turn the assembly to an upright position.

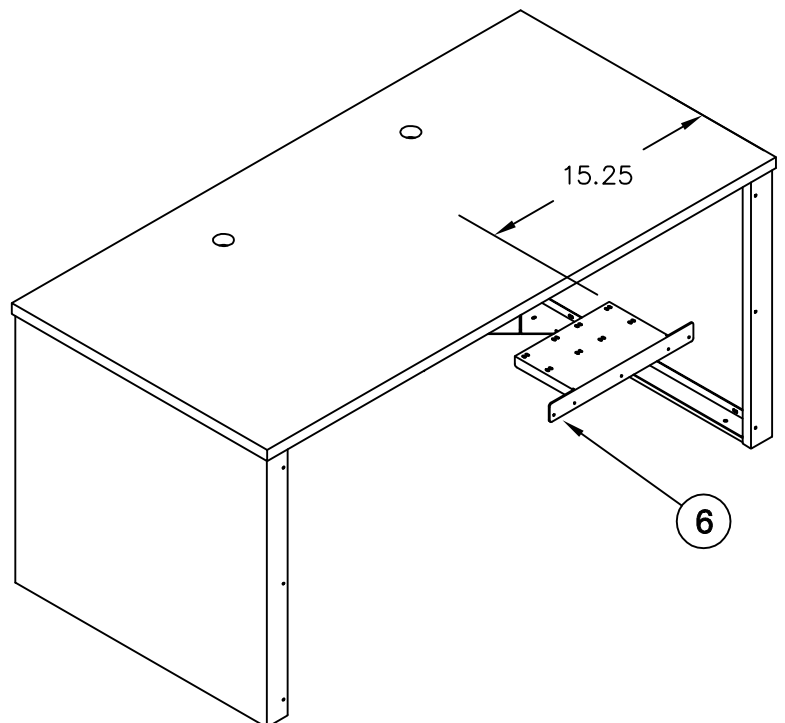
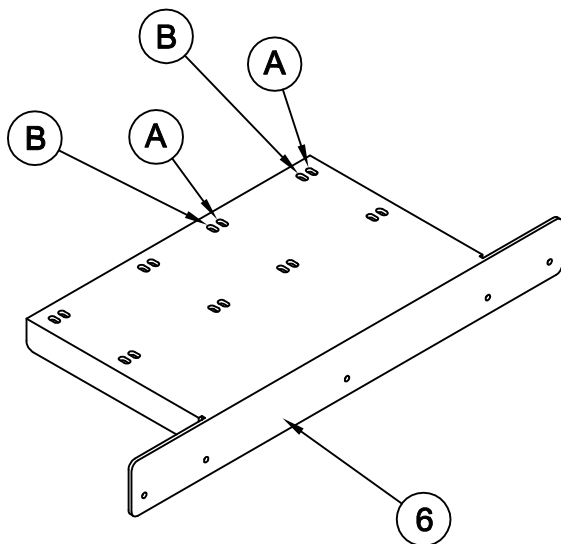
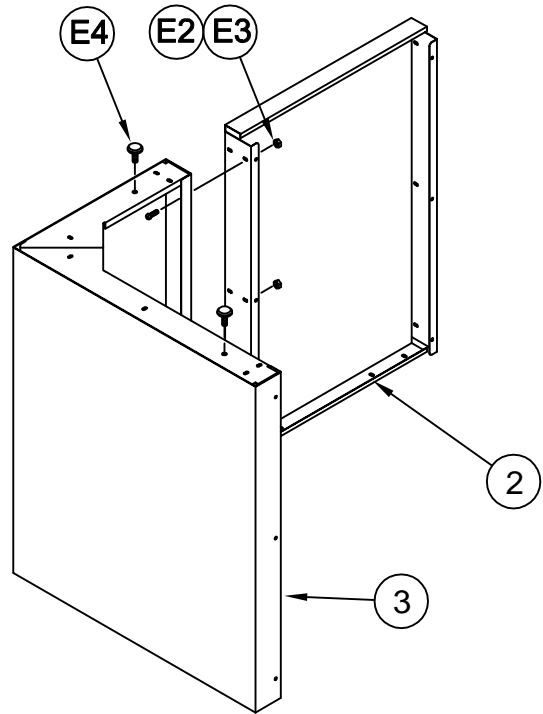
4. Attach the Return Bracket (6) to the previously assembled furniture. The Return Bracket has mounting slots for various products. This bracket is used for RIGHT or LEFT Hand mounting.

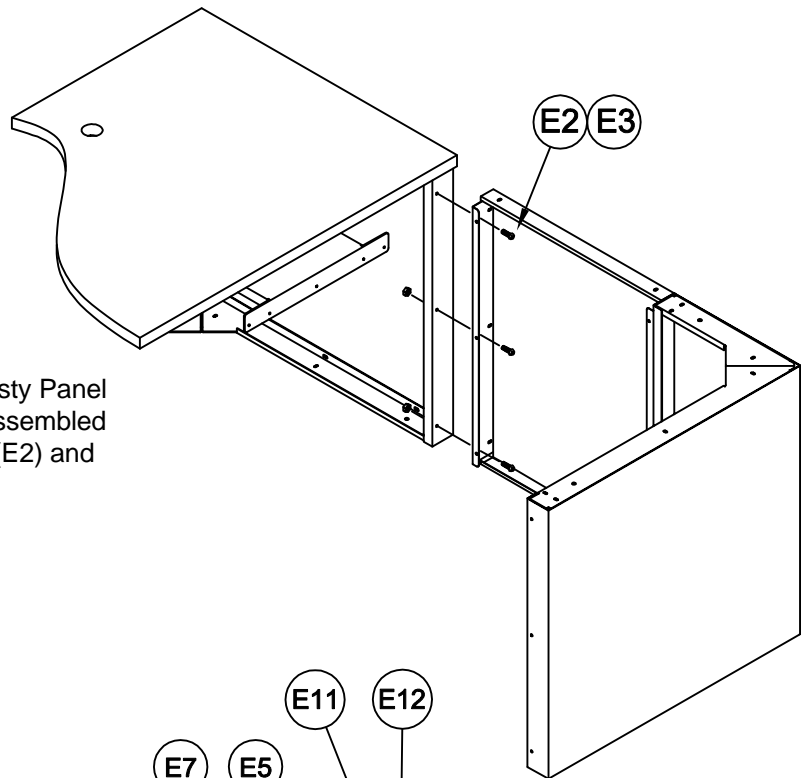
Slots in the 'A' position are to be used when attaching Tilt Return to a Credenza only.

Slots in the 'B' position are to be used when attaching Tilt Return to a Desk, J-Table or P-Table.

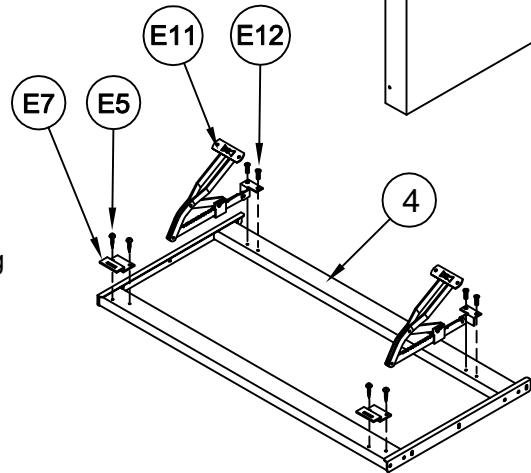
5. Align the slots in the Bracket with the holes in the underside of the work surface that will place the bracket approximately 15 1/4 inches from outer edge of the work surface.

6. Attach Bracket with four #10 x 3/4 Screws (E1). DO NOT TIGHTEN these screws at this time to allow for alignment.





7. Align the holes in the assembled Leg and Modesty Panel from Step 1 with the end panel on the previously assembled furniture. Attach using three #10-24 x 3/8 Screws (E2) and three KEPS Nuts (E3).

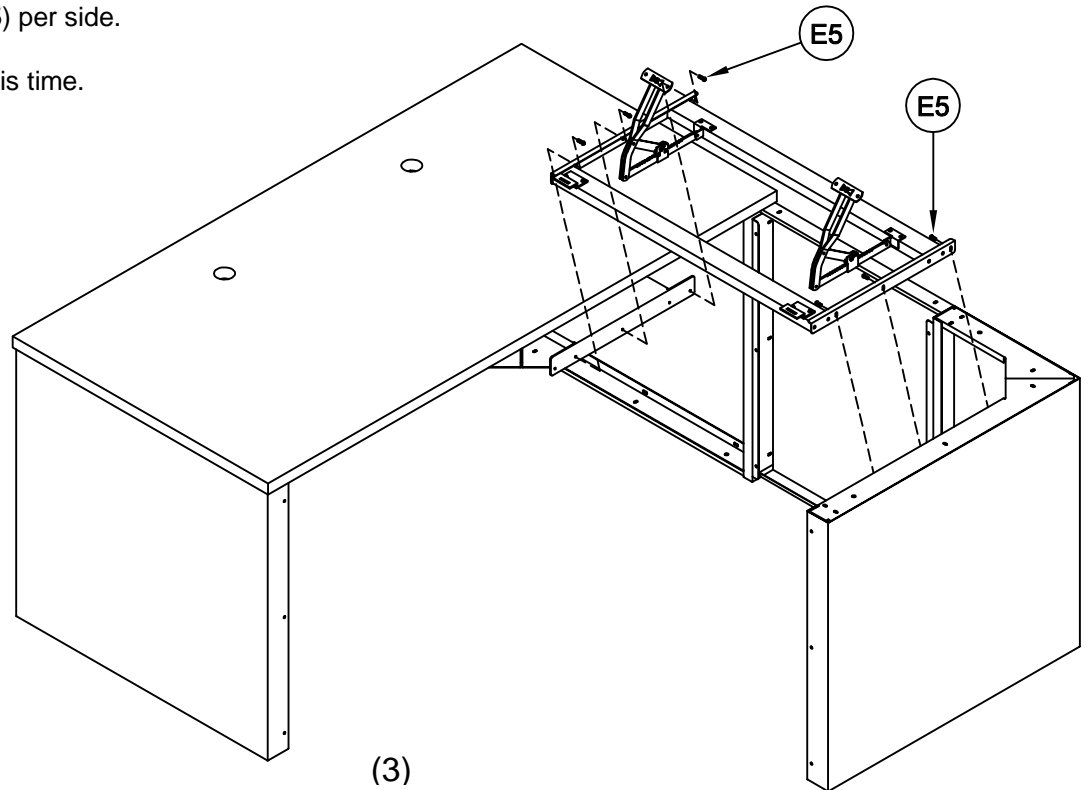


8. Attach the two Lift Hinges (E11) to the Frame Assembly using two Screws (E12) per Hinge. Tighten screws at this time.

9. Attach the two Lower Hinges (E7) to the Frame Assembly using two Screws (E5) per Hinge. Tighten screws at this time.

10. Install the Frame Assembly (4) between the Leg and the Mounting Bracket (?). Position the Frame with the Lower Hinges as shown. Attach the Frame Assembly to the Leg and the Bracket with three Screws (E5) per side.

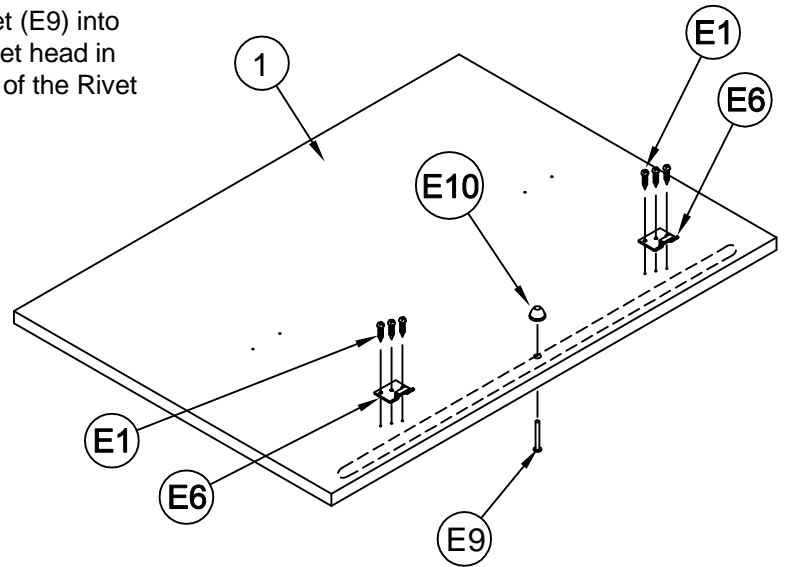
11. TIGHTEN the screws at this time.



(3)

12. Place the Work Surface (1) face down onto a clean surface. Position the Upper Hinge (E6) with the hinge tab toward the bottom edge. Secure with six #10 X 3/4 Screws (E1).

13. With the Pencil Stop (5) removed, insert the Rivet (E9) into the center hole in the groove. Position it with the Rivet head in the groove and place the Push Nut (E10) on the end of the Rivet that protrudes beyond the bottom surface.



14. To mount the Work Surface to the base, insert the tabs of the Upper Hinges into the slots of the Lower Hinges mounted on the Frame Assembly. Raise the Lift Hinges until the mounting plate holes are aligned with the pre-drilled holes in the Work Surface and secure in place with four #10 X 3/4 Screws (E1).

15. Apply Rubber Bumpers (E8) near the end of the Frame Assembly, farthest from the Hinges.

16. Place the Pencil Stop (5) into the Work Surface groove.

