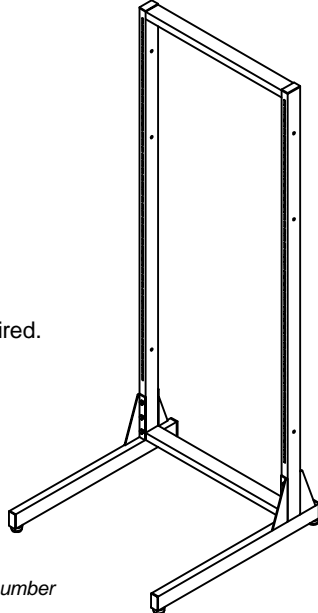
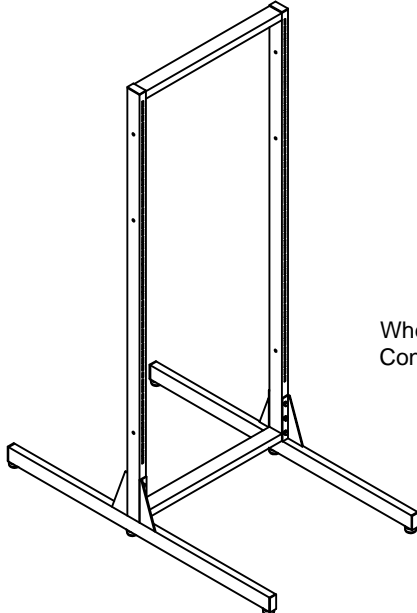


ASSEMBLY INSTRUCTIONS MAYTRIX™ LAN FURNITURE



NOTE: Please count and inspect all pieces before disposing of any carton or packing materials.

When ordering components, specific color and/or size information may be required. Contact a Mayline Customer Service Representative. 1-800-822-8037

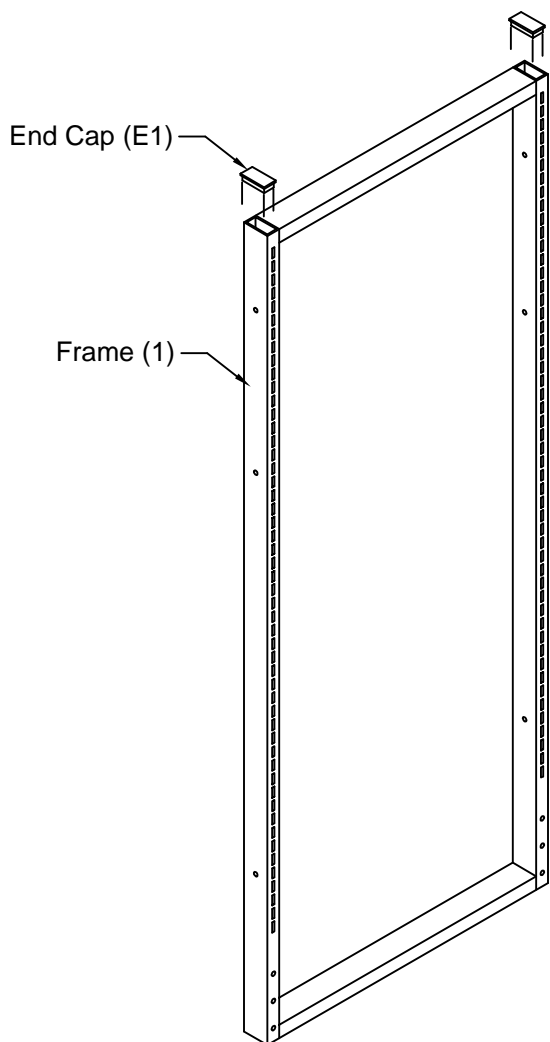
COMPONENTS:

REF.#	QTY.	DESCRIPTION	PART No.
1	1	FRAME ASSEMBLY	CALL~~**

HARDWARE BAG (PART No. A4359) *for individual item, order that part number

REF. #	QTY.	DESCRIPTION	PART No.
E1	2	END CAP	F672*
E2	2	1/4-20 HEX NUT	T29*
E3	4	WASHER	W13*
E4	2	1/4-20 X 2 1/2 SCREW	X317*

** Denotes Color Code
~~Denotes Size



1. Insert End Caps (E1) into upper ends of Frame (1).

NOTE: Screws, Washers, and Hex Nuts will be used later during the assembly process.



LEG ASSEMBLY

NOTE: Please count and inspect all pieces before disposing of any carton or packing materials.

When ordering components, specific color and/or size information may be required. Contact a Mayline Customer Service Representative. 1-800-822-8037

COMPONENTS: PRODUCTS 350213L, 350320L

** Denotes Color Code
 ~~Denotes Size

<u>REF.#</u>	<u>QTY.</u>	<u>DESCRIPTION</u>	<u>PART No.</u>
2	1	SINGLE L.H. LEG ASSEMBLY	CALL~~**

COMPONENTS: PRODUCTS 350213R, 350320R

<u>REF.#</u>	<u>QTY.</u>	<u>DESCRIPTION</u>	<u>PART No.</u>
3	1	SINGLE R.H. LEG ASSEMBLY	CALL~~**

HARDWARE BAG (PART No. A4361) *for individual item, order that part number

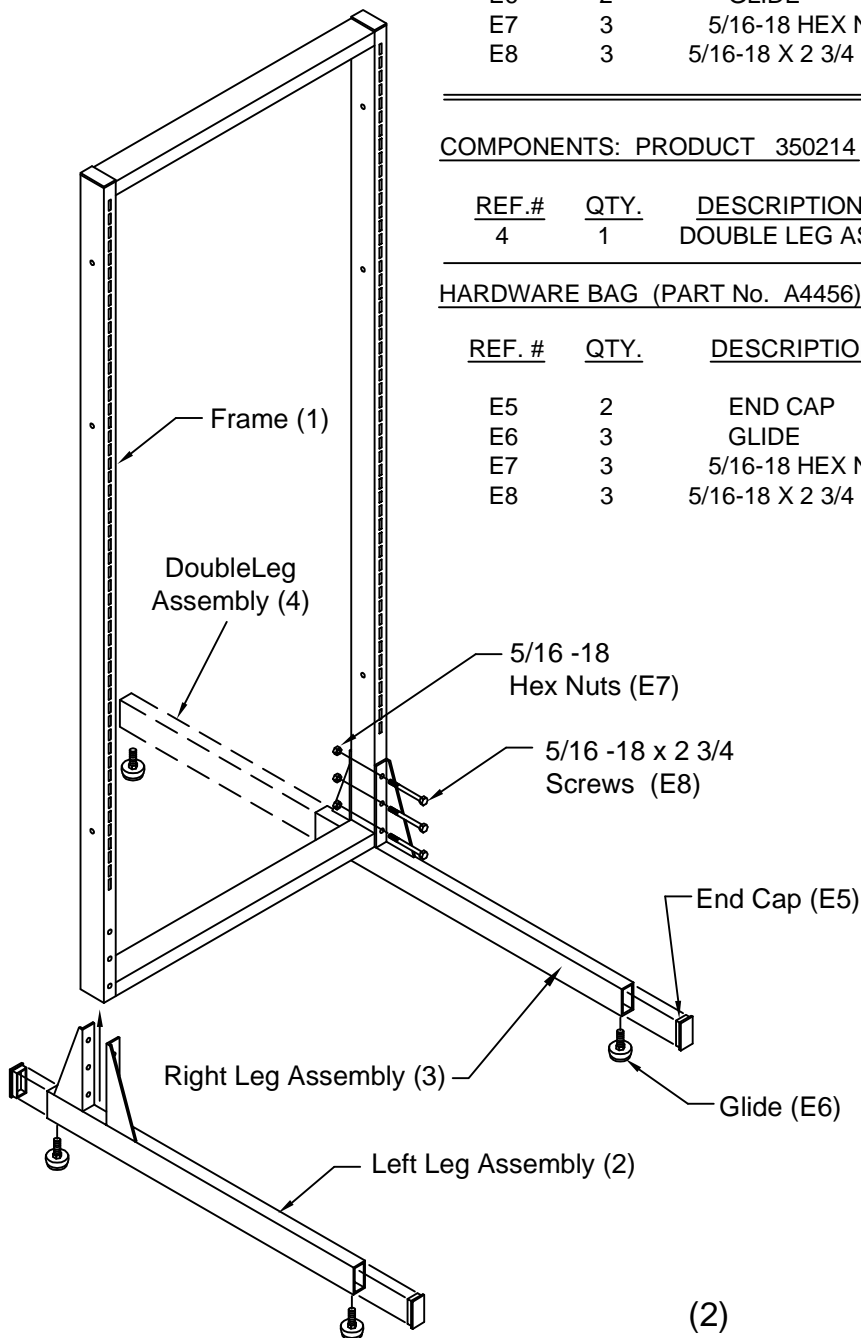
<u>REF. #</u>	<u>QTY.</u>	<u>DESCRIPTION</u>	<u>PART No.</u>
E5	2	END CAP	F672*
E6	2	GLIDE	Q471*
E7	3	5/16-18 HEX NUT	T27*
E8	3	5/16-18 X 2 3/4 SCREW	X316*

COMPONENTS: PRODUCT 350214

<u>REF.#</u>	<u>QTY.</u>	<u>DESCRIPTION</u>	<u>PART No.</u>
4	1	DOUBLE LEG ASSEMBLY	A4457 **

HARDWARE BAG (PART No. A4456) *for individual item, order that part number

<u>REF. #</u>	<u>QTY.</u>	<u>DESCRIPTION</u>	<u>PART No.</u>
E5	2	END CAP	F672*
E6	3	GLIDE	Q471*
E7	3	5/16-18 HEX NUT	T27*
E8	3	5/16-18 X 2 3/4 SCREW	X316*



2. Insert End Caps (E5) and Glides (E6) into ends of Leg Assemblies (2, 3 or 4).

3. Position Leg Assemblies under the Frame and attach them with 5/16-18 x 2 3/4 Screws (E8) and 5/16-18 Hex Nuts (E7). Tighten all nuts securely.

4. Level Frame by adjusting Glides (E6).

CENTER LEG ASSEMBLY

NOTE: Please count and inspect all pieces before disposing of any carton or packing materials.

When ordering components, specific color and/or size information may be required. Contact a Mayline Customer Service Representative. 1-800-822-8037

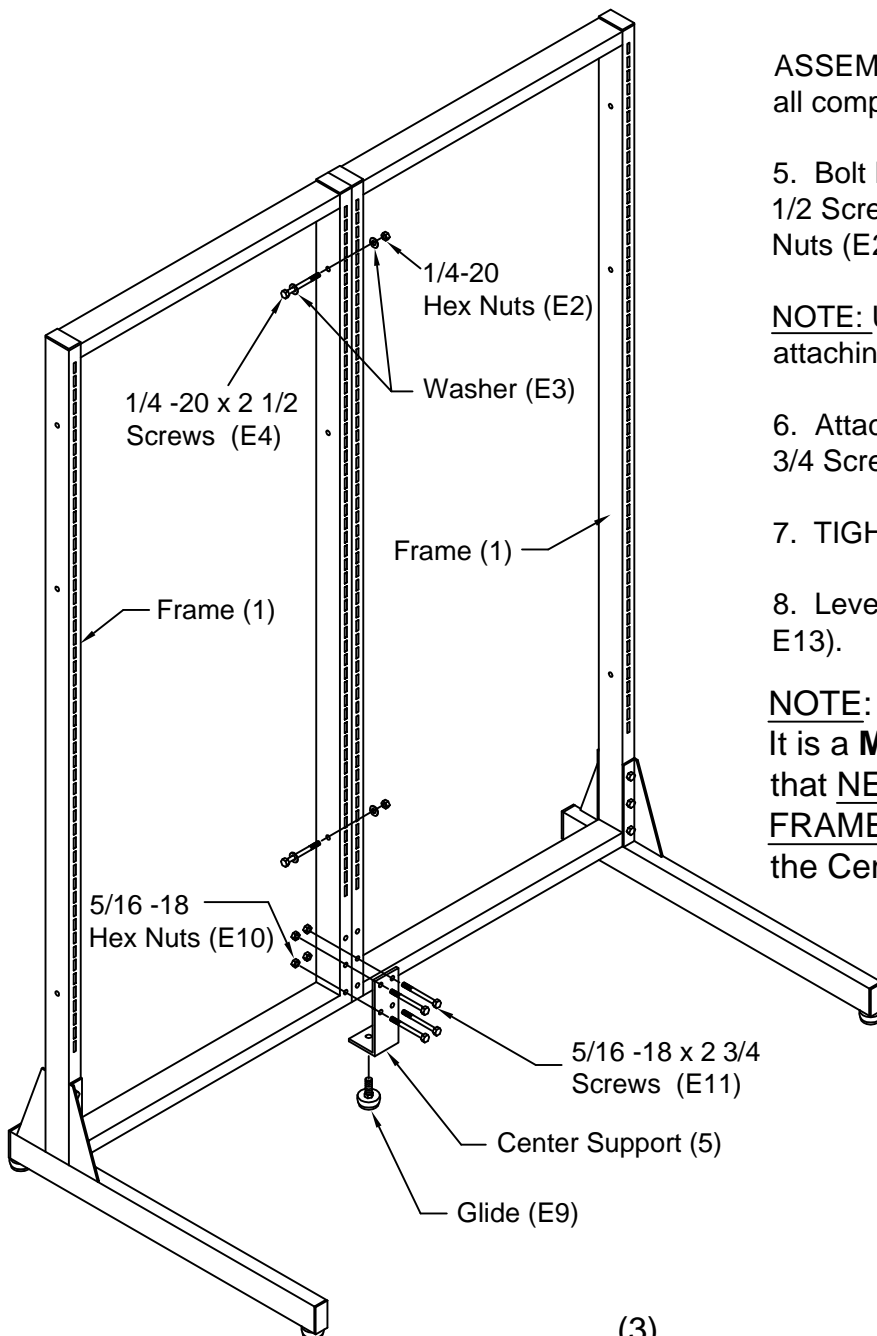
COMPONENTS: PRODUCT 350212

** Denotes Color Code

REF.#	QTY.	DESCRIPTION	PART No.
5	1	CENTER LEG SUPPORT	A4437**

HARDWARE BAG (PART No. A4360) *for individual item, order that part number

REF. #	QTY.	DESCRIPTION	PART No.
E9	1	GLIDE	Q471*
E10	4	5/16-18 HEX NUT	T27*
E11	4	5/16-18 X 2 3/4 SCREW	X316*



ASSEMBLY NOTE: Do not tighten bolts until all components are assembled.

5. Bolt Frames (1) together using 1/4-20 x 2 1/2 Screws (E4), Washers (E3) and 1/4-20 Hex Nuts (E2) included with frames.

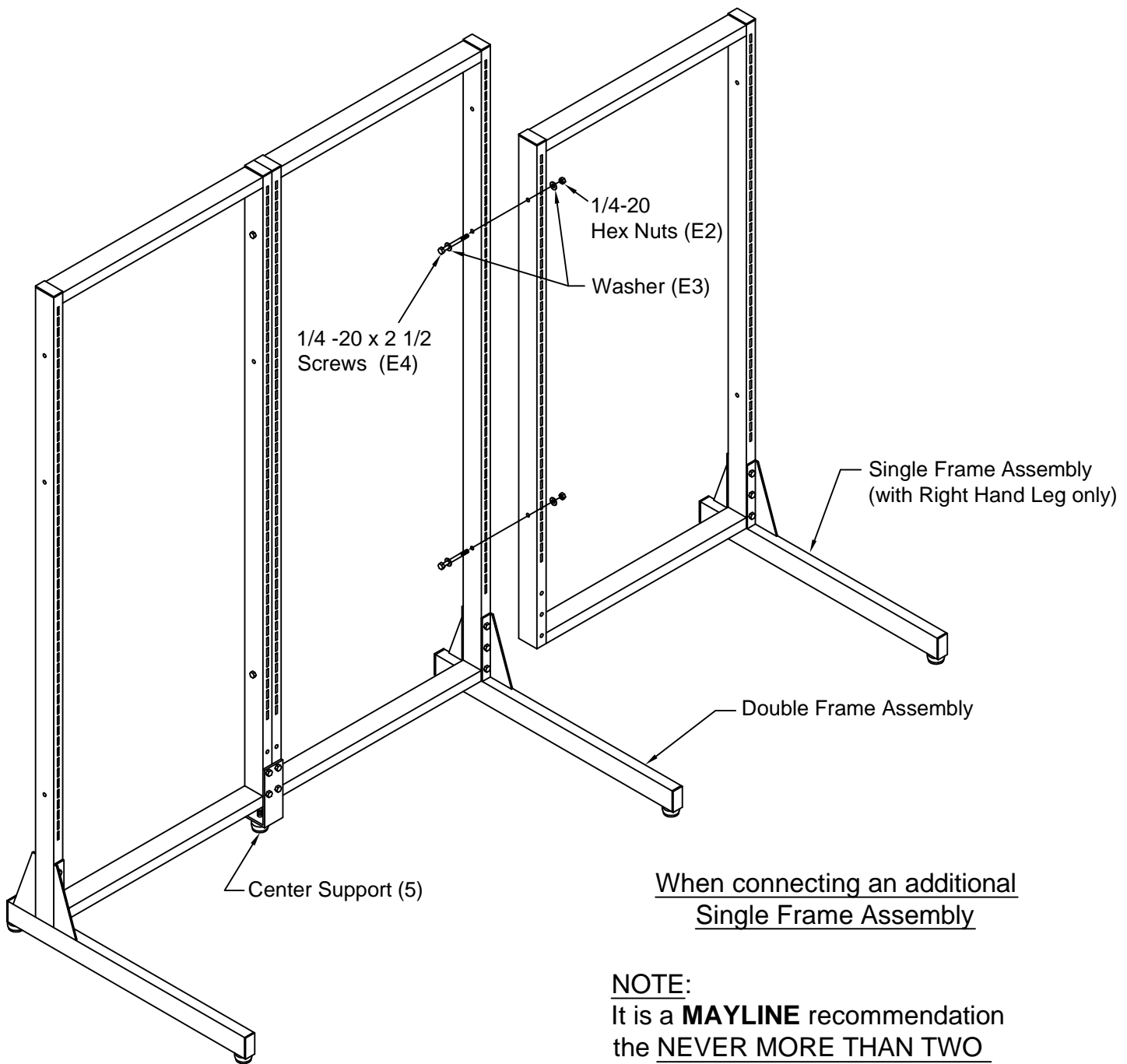
NOTE: Use the uppermost set of holes when attaching frames of equal height.

6. Attach Center Support (5) with 5/16-18 x 2 3/4 Screws (E11) and 5/16-18 Hex Nuts (E10).

7. TIGHTEN ALL BOLTS SECURELY.

8. Level Frames by adjusting Glides (E2 and E13).

NOTE:
It is a **MAYLINE** recommendation that NEVER MORE THAN TWO FRAMES be joined together utilizing the Center Leg Support (5).



When connecting an additional
Single Frame Assembly

NOTE:

It is a **MAYLINE** recommendation the NEVER MORE THAN TWO FRAMES be joined together utilizing the Center Leg Support (5).

8. Assemble the Single Frame per the instructions on the first page of this instruction sheet.

The single frame Leg Assembly is determined by the side of the double frame you have chosen to expand.

9. Bolt the frames together using 1/4-20 x 2 1/2 Screws (E4), Washers (E3), and 1/4-20 Hex Nuts (E2). Tighten all screws securely.

10. Level Frame by adjusting the Glides.