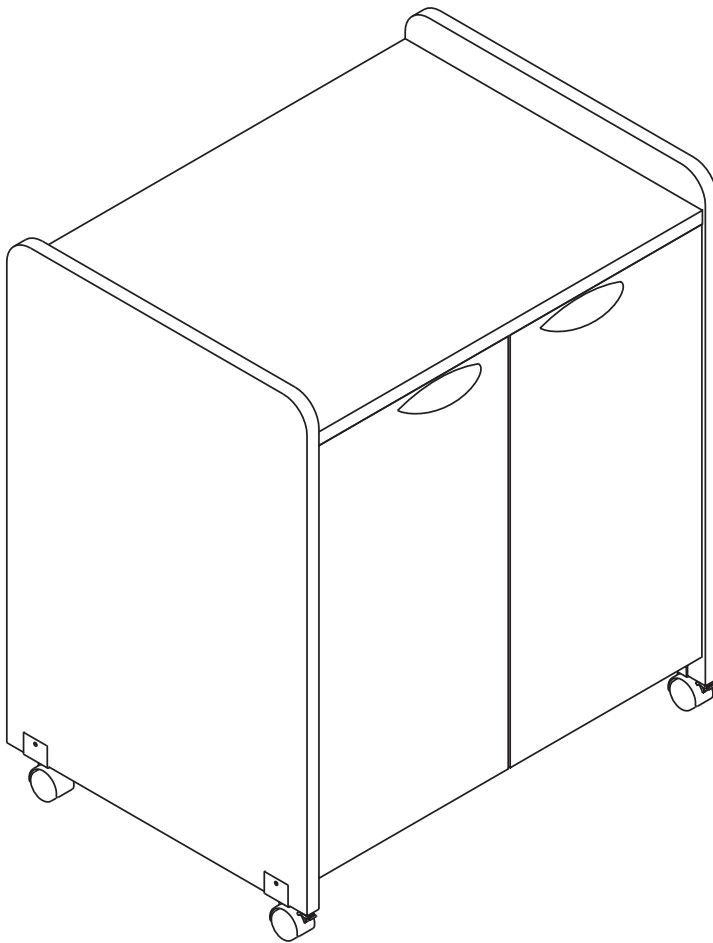




Tiffany Industries
A MAYLINE GROUP COMPANY

Model No.2110MU

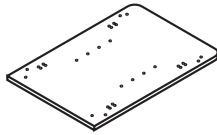
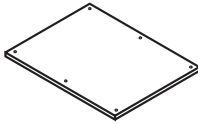
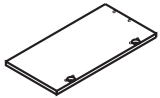
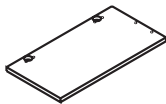
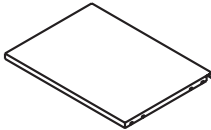
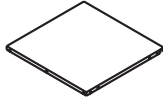
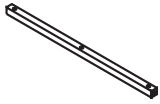
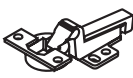





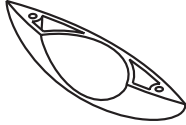



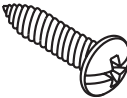

MOBILE UTILITY CABINET









ASSEMBLY INSTRUCTIONS

CALL 1-800-822-8037 FOR ASSISTANCE

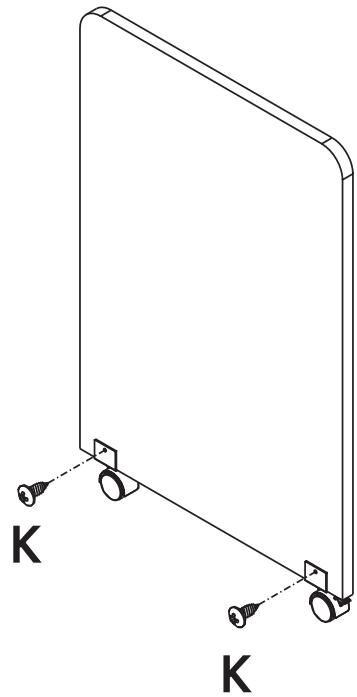
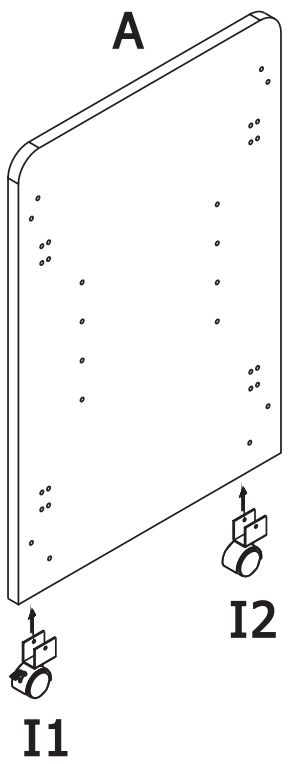
PARTS LIST

Name	Part	Qty.
A		2
B		1
C1		1
C2		1
D		1
E		2
F		1
G		4

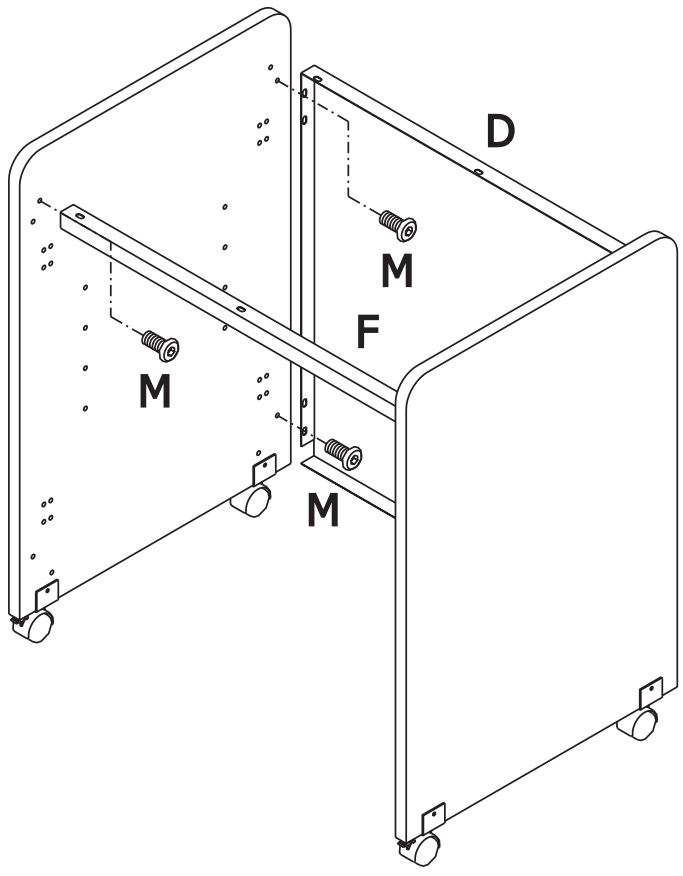
Name	Part	Qty.
H		4
I1		2
I2		2
J		2
K		5
L		25
M		17
N		5
O		1

	M4 15	
	M4 15	
		
	M4 25	

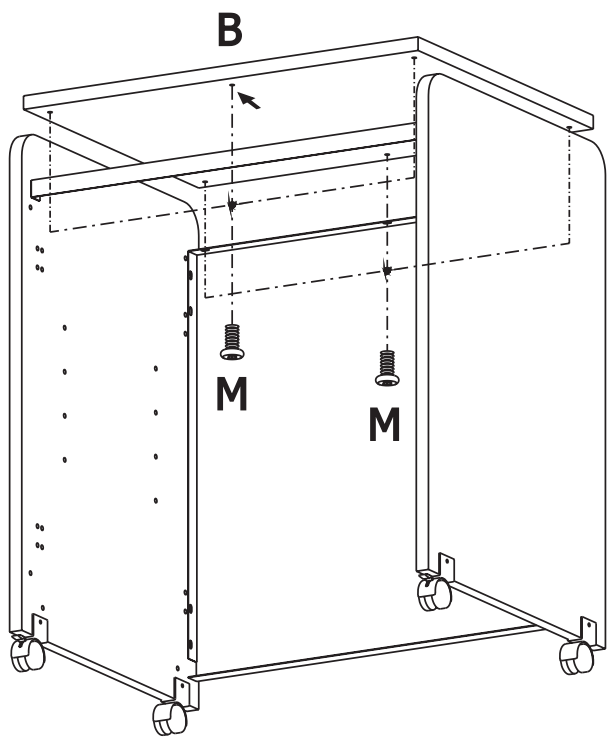
1



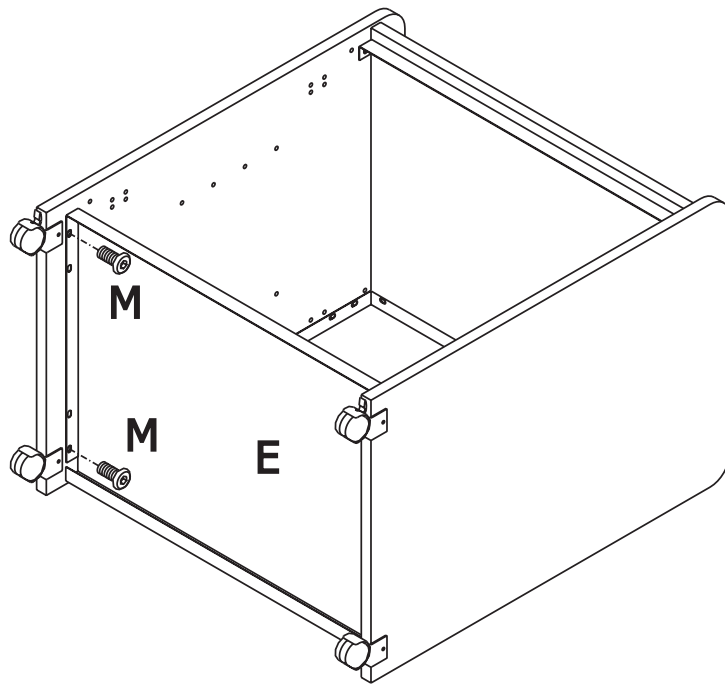
2



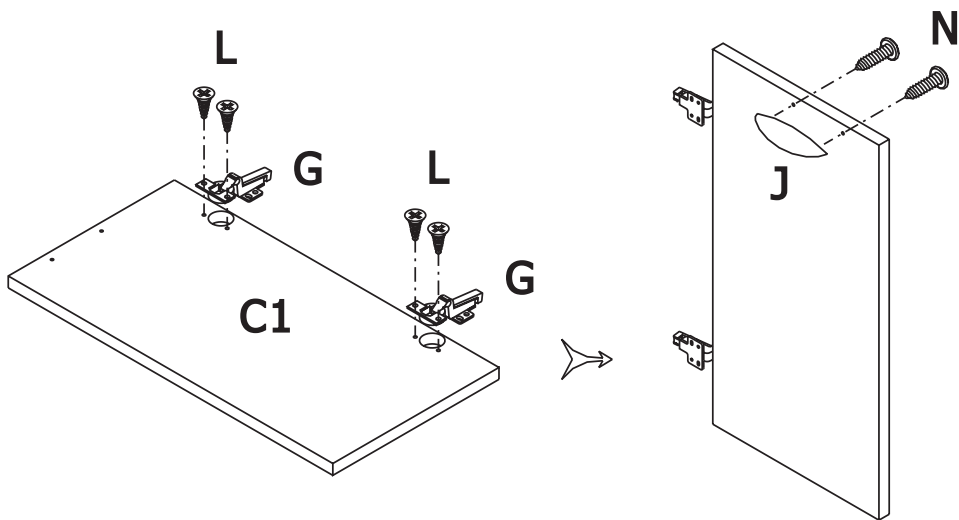
3



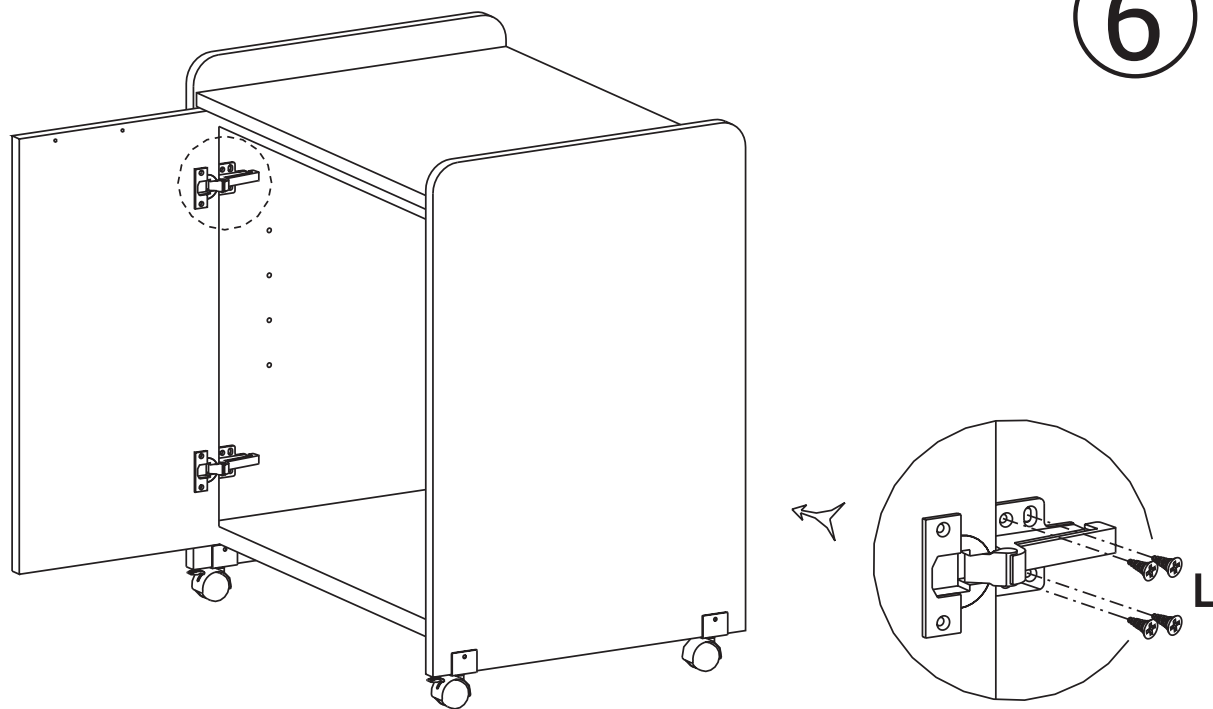
4



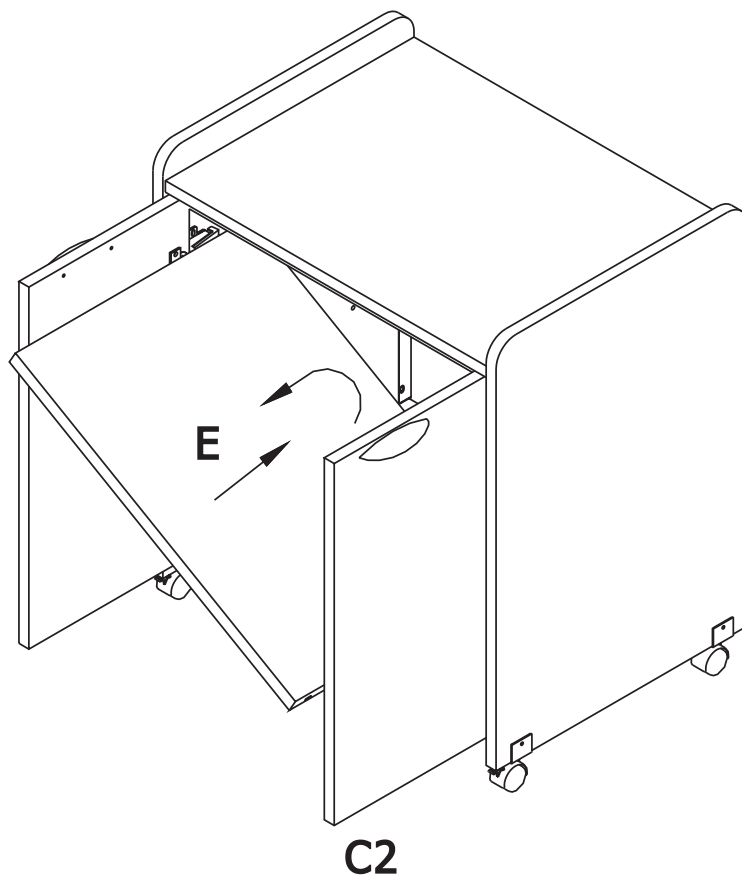
5



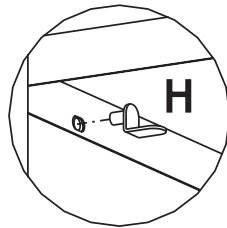
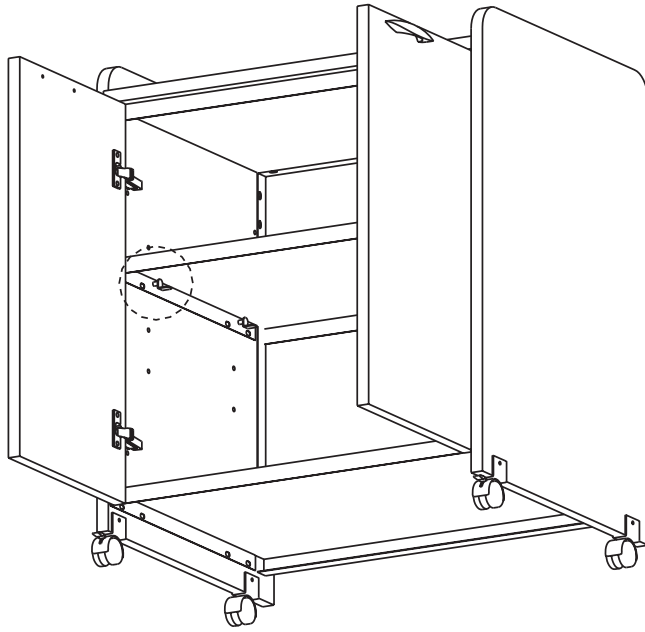
6



7



8



9

