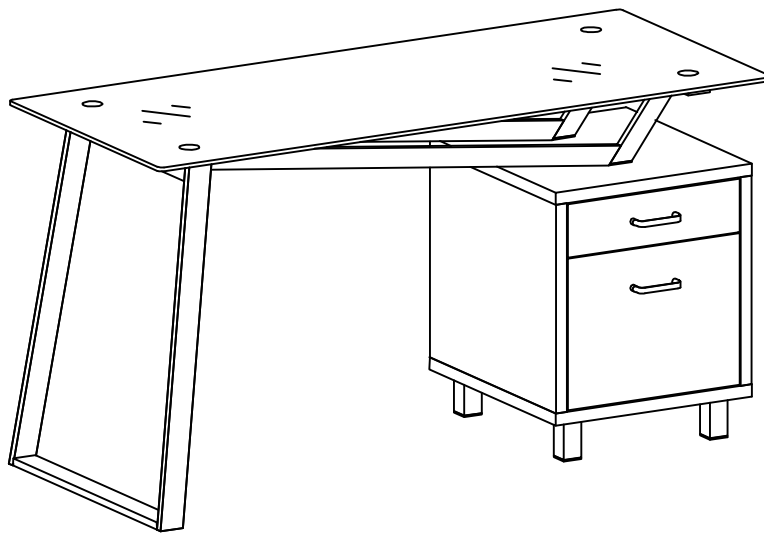


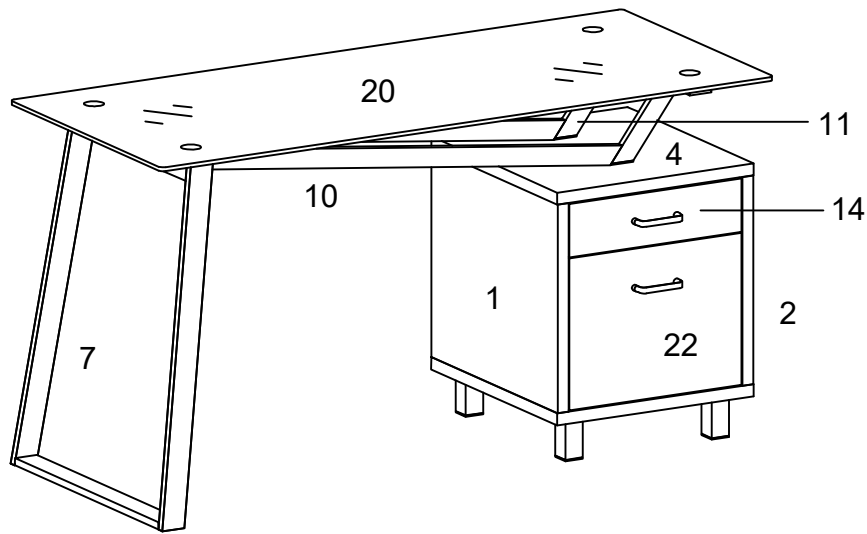
**V-Desk, Glass Top
Model No. 1001VTG**



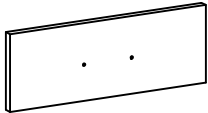
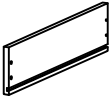
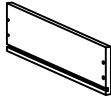
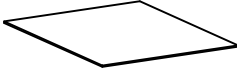


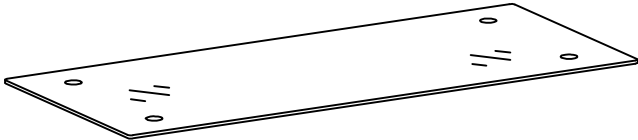

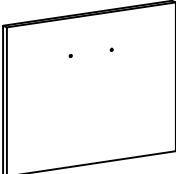
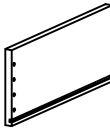
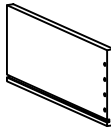

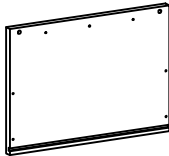
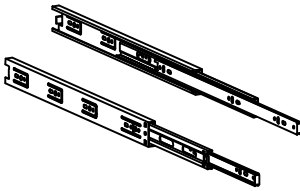

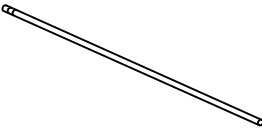
ASSEMBLY INSTRUCTIONS

CALL 1-800-822-8037 FOR ASSISTANCE

■PARTS LIST



<p>1</p>	<p>2</p>	<p>3</p>	<p>4</p>
<p>5</p>	<p>6</p>	<p>7</p>	<p>8</p>
<p>x4</p>		<p>9</p>	<p>10</p>
<p>11</p>	<p>12</p>	<p>13</p> <p>Left Right</p>	
<p>x2</p>			

<p>14</p> 	<p>15</p> 	<p>16</p> 	<p>17</p> 
<p>18</p> 	<p>19</p> 	<p>20</p> 	
<p>21</p> 	<p>22</p> 	<p>23</p> 	<p>24</p> 
<p>25</p> 	<p>26</p> 	<p>27</p> 	<p>28</p> 
<p>29</p> 			

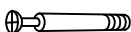

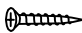

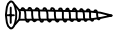

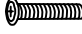

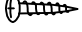
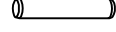

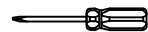

x6

x2

x2

x2

▪SCREWS LIST

PART	QTY.	ITEM		PART	QTY.	ITEM	
A	14	6x40 MM		H	2	6x20 MM	
B	38	3x15 MM		I	2	6x55 MM	
C	8	4x35 MM		J	4	Ø16 MM	
D	4	4x20 MM		K	14	Ø15 MM	
E	16	4x14 MM		L	8	8x30 MM	
F	18	6x15 MM			1		
G	4	6x35 MM					

*For Replacement Hardware Box order Part# 1001HB

Thanks for purchasing one of our products, please carefully read the assembly instructions before beginning the installation.

General Care:

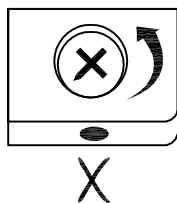
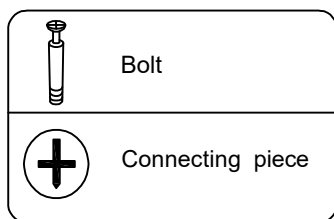
-Keep your furniture out direct sunlight-Use desk pads and coasters to protect the surface from dents,scratches,and moisture from hot or cold liquids.

Cleaning:

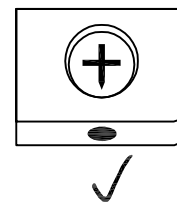
-For cleaning, wipe the surface with a damp (not wet) cloth or wipe dry with a clean lint free cotton cloth.

-Window cleaning liquid or a similar cleaning liquid can be used to clean glass surface.

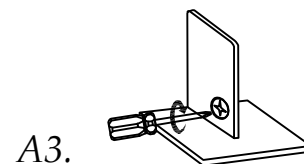
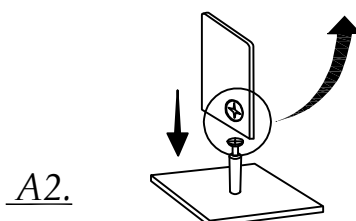
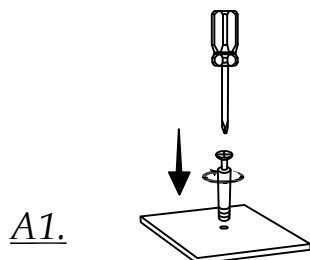
6x40MM BOLT INSTALLATION AS BELOW:



Adjust connecting piece direction if condition as illustrated



Insert bolt when Connecting piece under Such condition



■ ASSEMBLY STEPS:

1

15

21

16

■ SCREWS

B 3x15 MM

4PCS

2

15

16

18

■ SCREWS

C 4x35 MM

4PCS

3

15

17

16

4

14

21 x 2

15

16

■ SCREWS

F 6x15 MM

2PCS

5

14

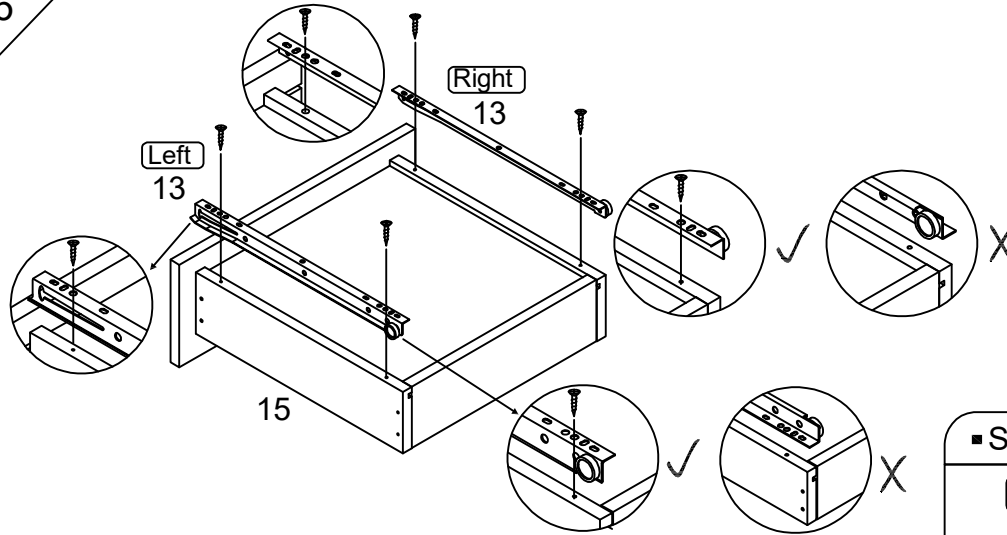
19

■ SCREWS

D 4x20 MM

2PCS


6



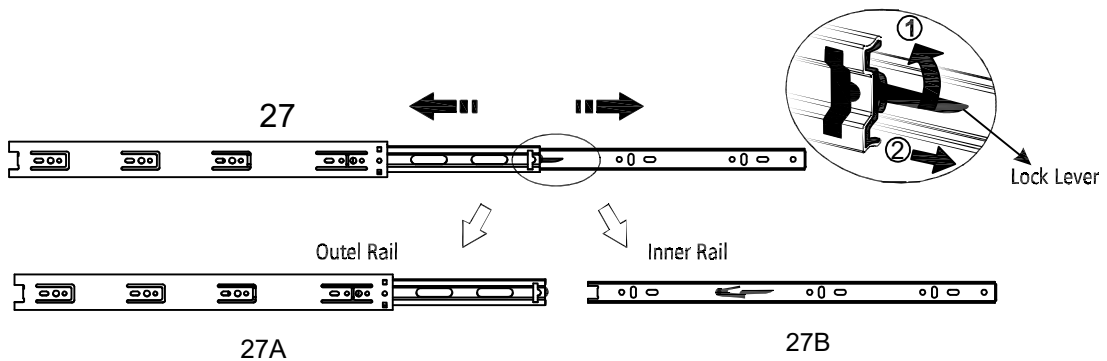
▪ SCREWS

B 3x15 MM

4PCS

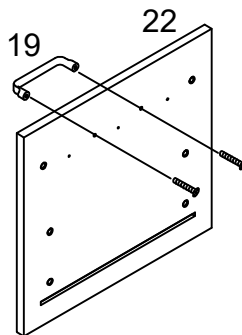


7



move the lock lever on the inner rail as shown and separate the
outer rail (27A) and inner rail (27B) from the 2 file drawer slides (27)


8



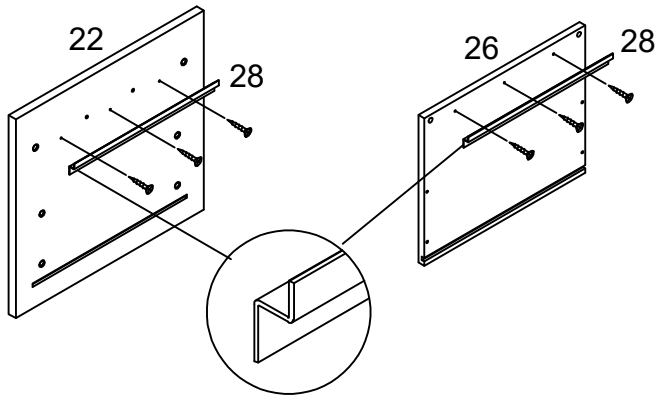
▪ SCREWS

D 4x20 MM


2PCS

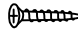



9

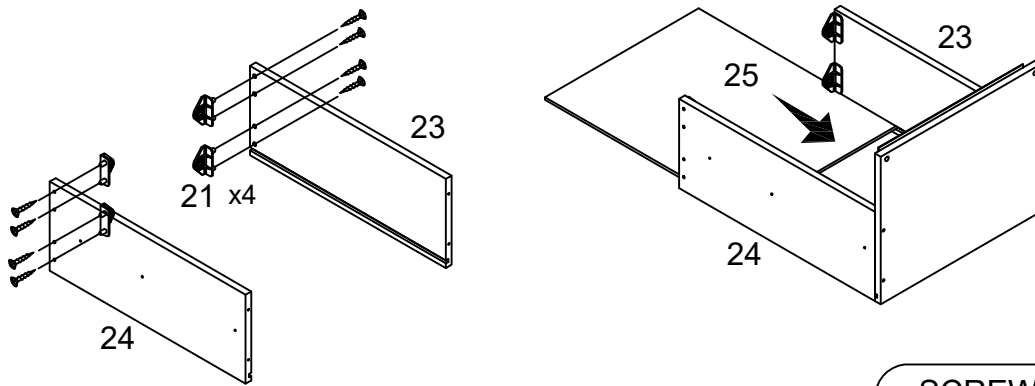


▪ SCREWS


B 3x15 MM 

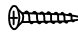

 6PCS 

10

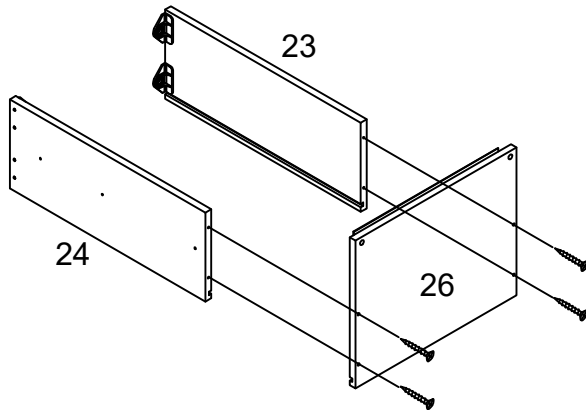


▪ SCREWS


B 3x15 MM 

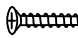

 8PCS 

11

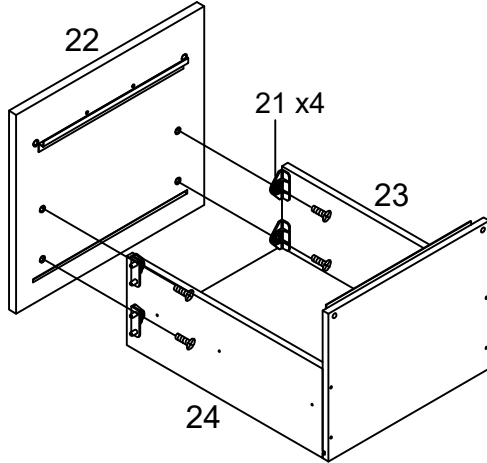


▪ SCREWS

C 4x35 MM 

 4PCS 

12



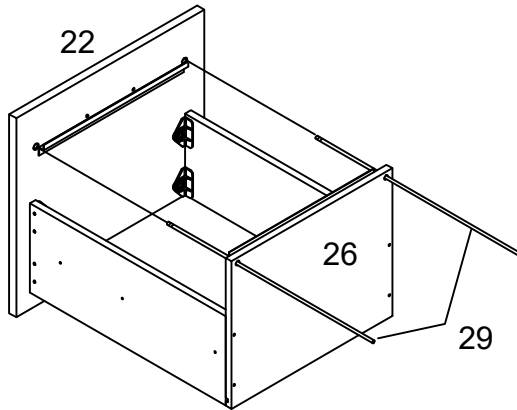
▪ SCREWS

F 6x15 MM

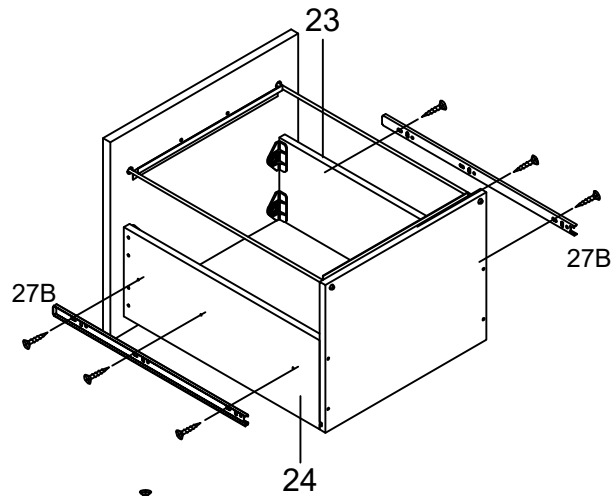
4PCS



13



14



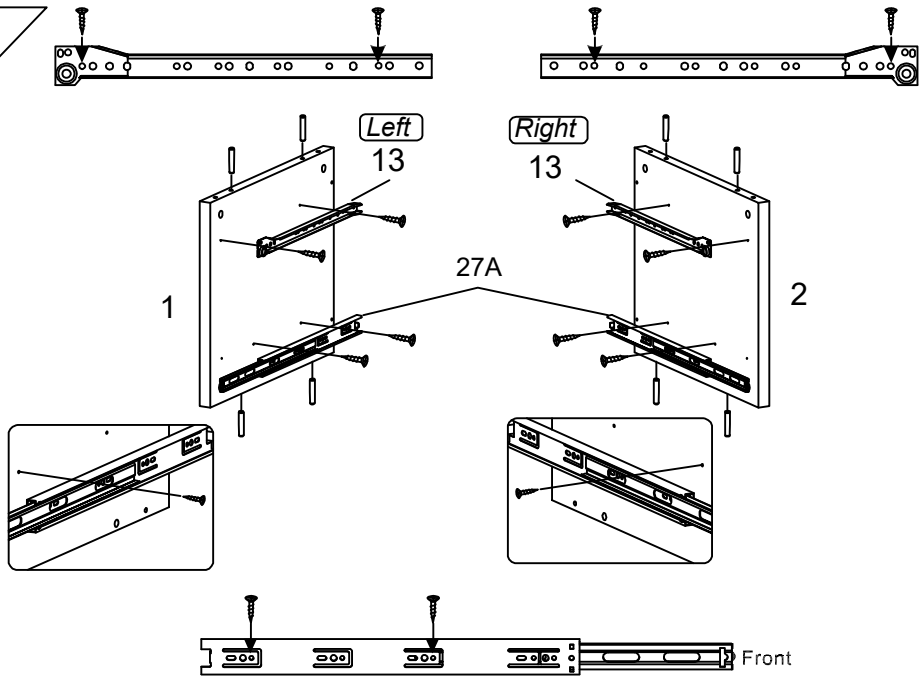
▪ SCREWS

B 3x15 MM

6PCS

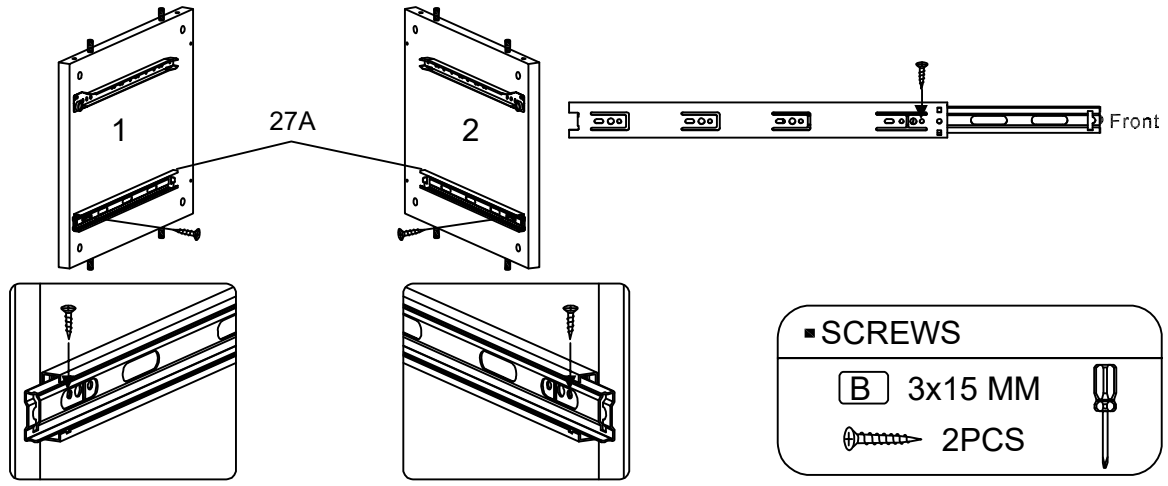


15



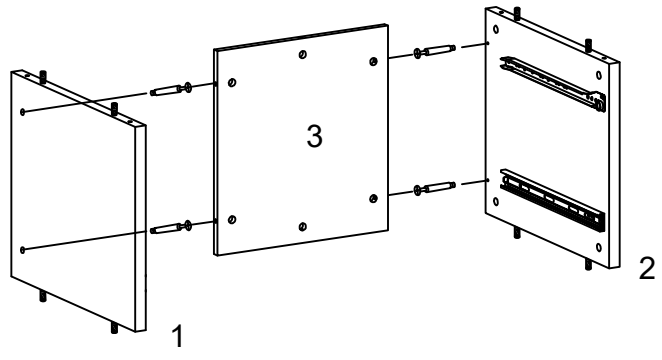
- SCREWS
- [B] 3x15 MM 8PCS
 - [L] 8x30 MM 8PCS

16



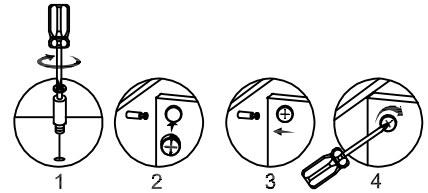
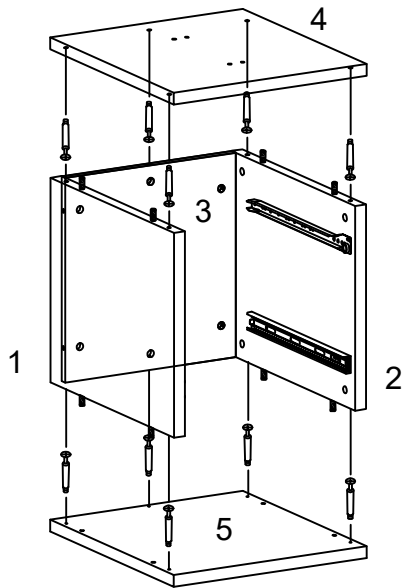
- SCREWS
- [B] 3x15 MM 2PCS

17



- SCREWS
- [A] 6x40 MM 4PCS
 - [K] Ø15 MM 4PCS

18



▪ SCREWS

A 6x40 MM

10PCS

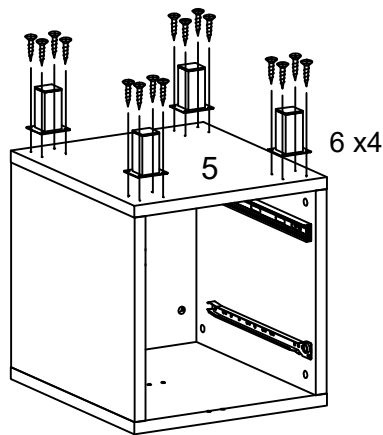


K Ø15 MM

10PCS



19



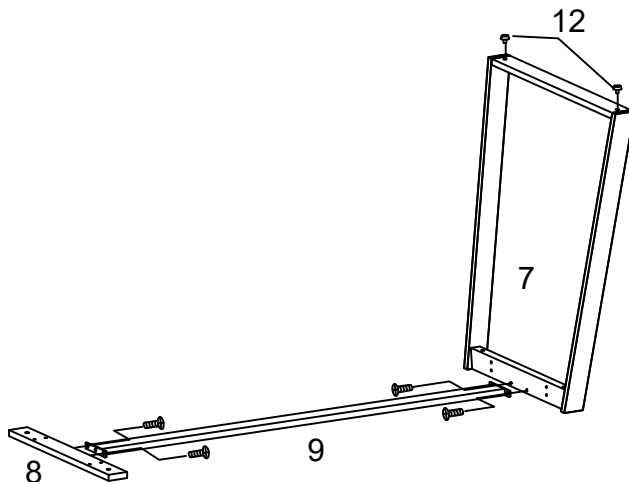
▪ SCREWS

E 4x14 MM

16PCS



20



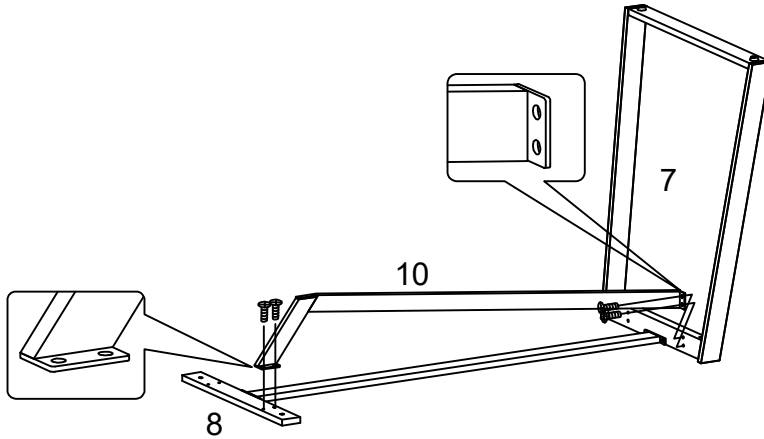
▪ SCREWS

F 6x15 MM

4PCS



21



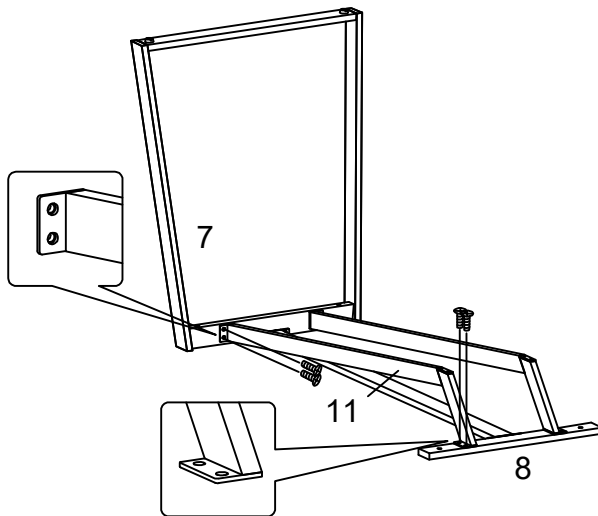
▪ SCREWS

[F] 6x15 MM

[Screw icon] 4PCS



22



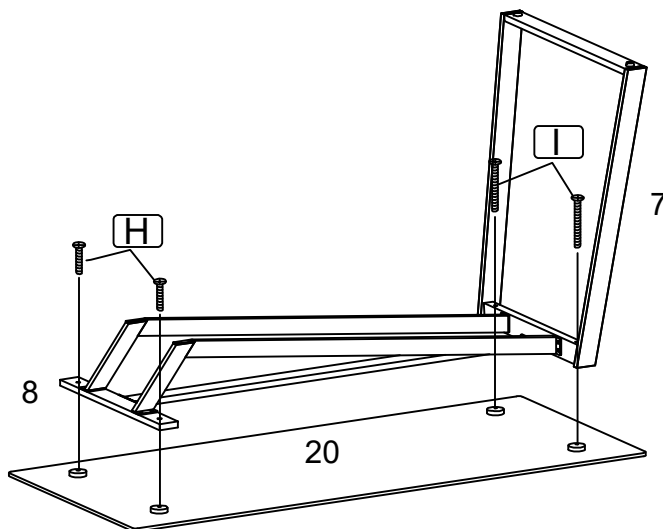
▪ SCREWS

[F] 6x15 MM

[Screw icon] 4PCS



23



▪ SCREWS

[H] 6x20 MM

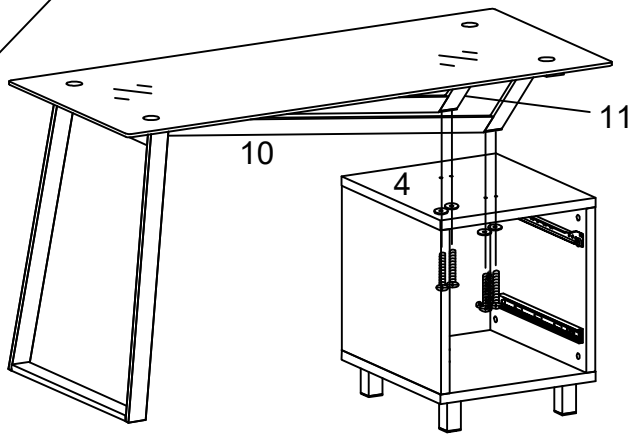
[Screw icon] 2PCS

[I] 6x55 MM

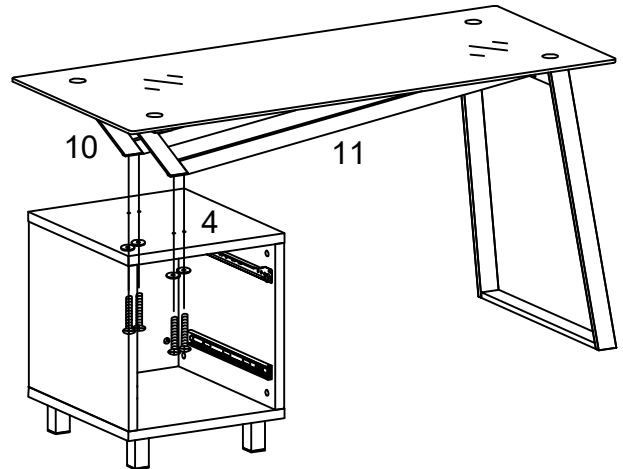
[Screw icon] 2PCS



24



OR



▪ SCREWS

G 6x35 MM

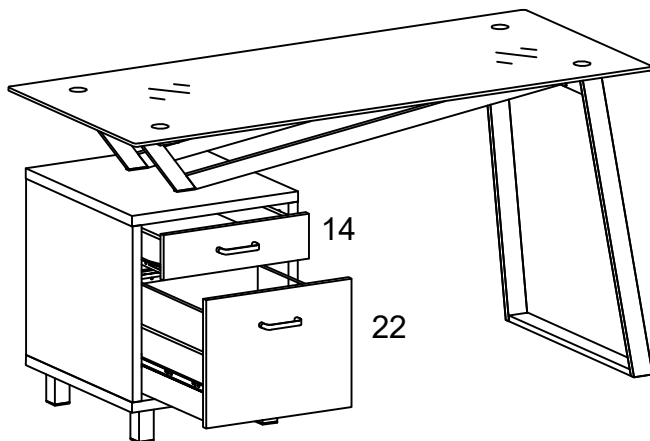
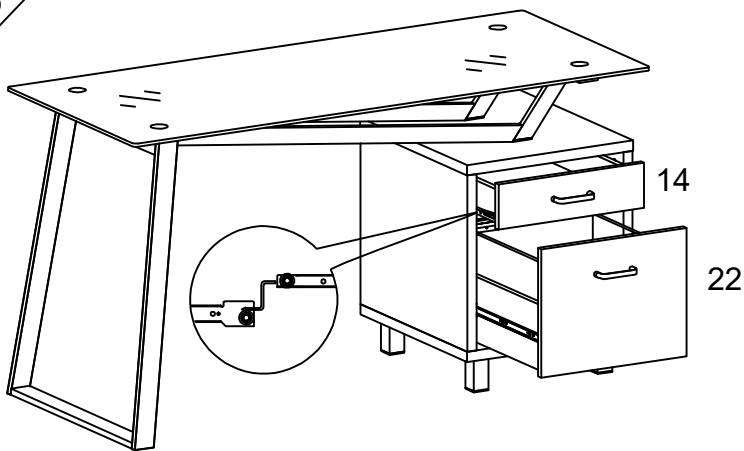
4PCS



J Ø16 MM

4PCS

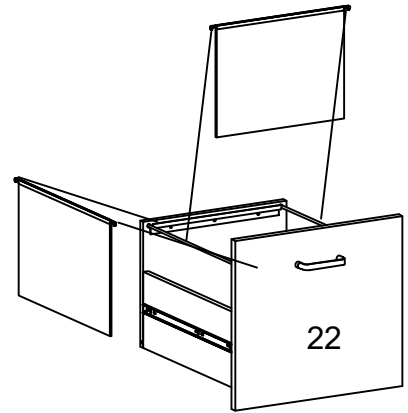
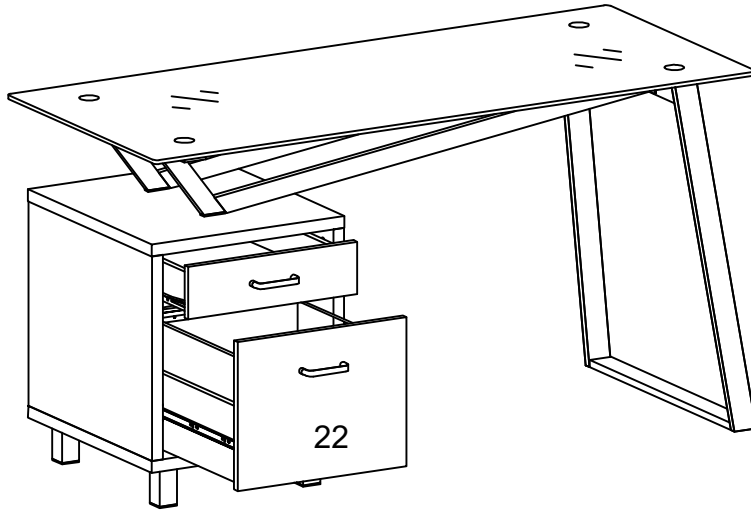
25



Make sure inner silver ball bearing slide is at the front of the slide mount and in lock position.

Align both sides of slide runners to slide mounts' openings, then slide all the way in. Apply small force to insert completely if needed.

26



Please hang files on the movable metal hook part 28 or part 29

27

