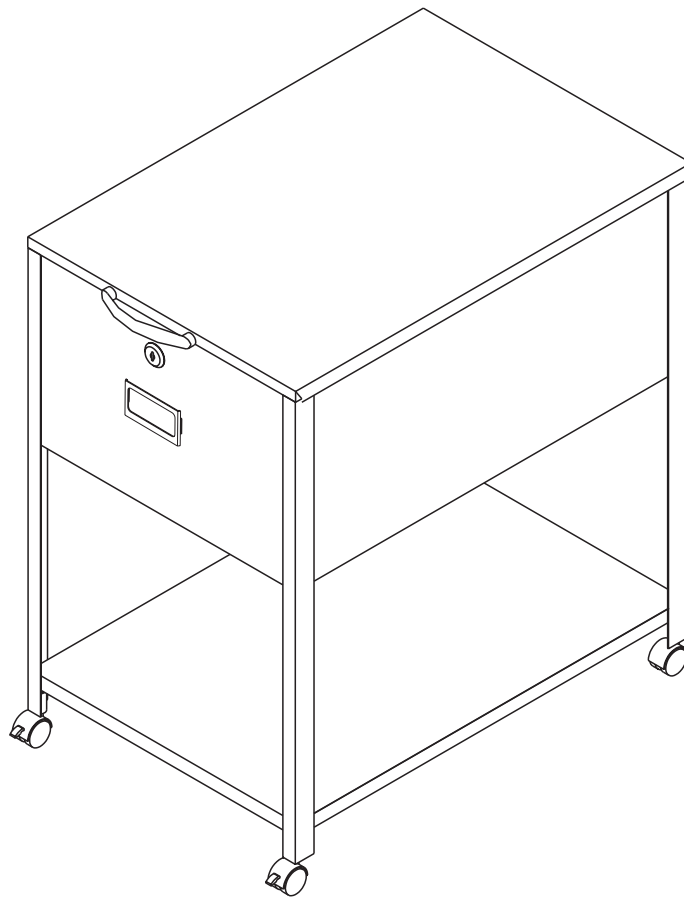




**Tiffany Industries™**  
A MAYLINE GROUP COMPANY

**Model No. 9P610&9P611**

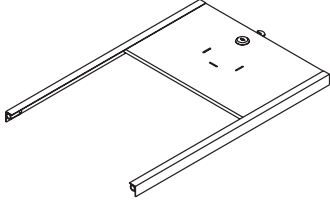
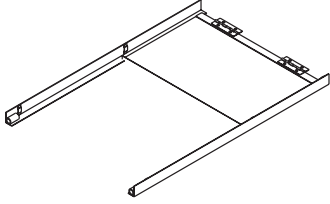
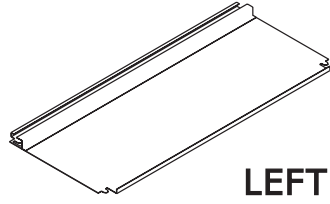
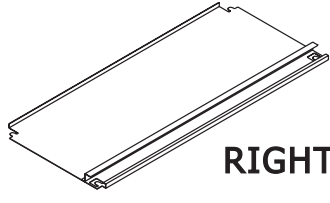
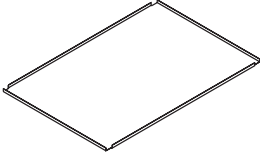
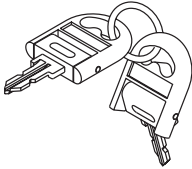


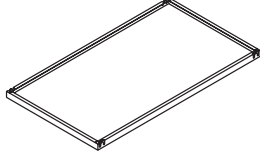
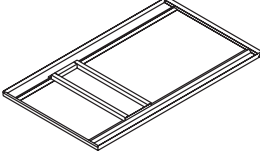
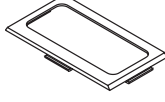
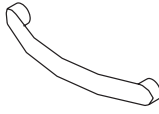
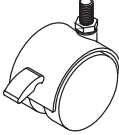

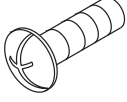
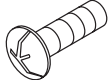
**MOBILIZER W/LID LETTER&LEGAL**


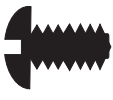


**ASSEMBLY INSTRUCTIONS**

**CALL 1-800-822-8037 FOR ASSISTANCE**

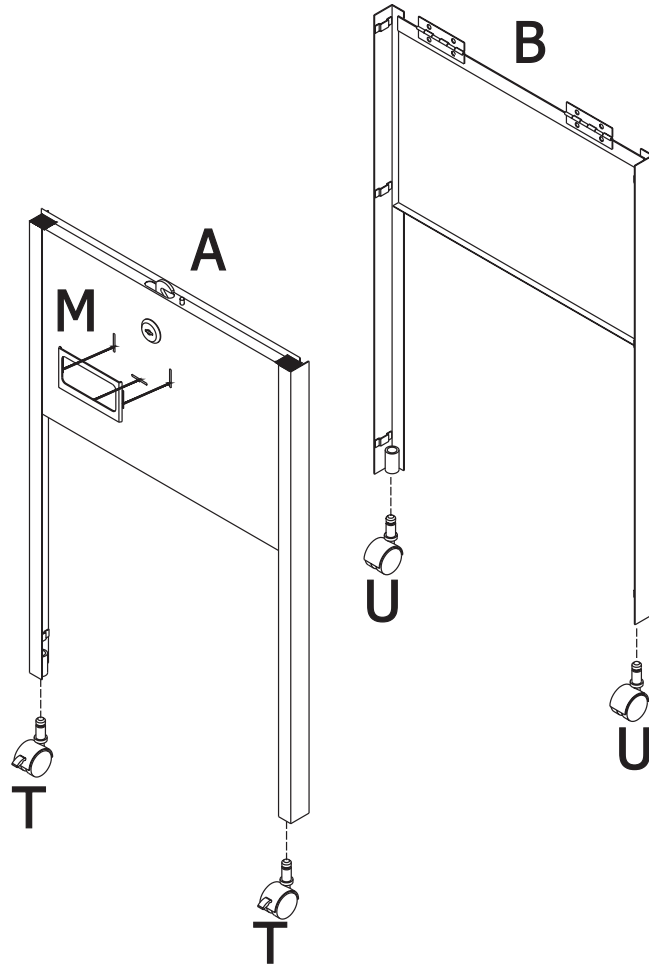
# PARTS LIST

Name	Part	Qty.
A		1
B		1
C	 LEFT	1
D	 RIGHT	1
E		1
Z		1

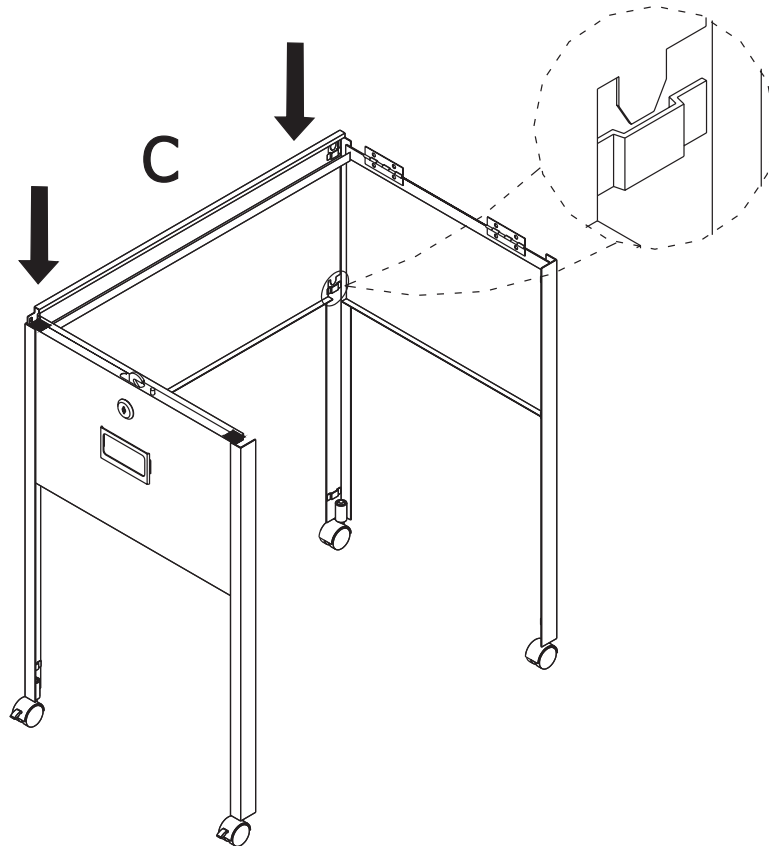
Name	Part	Qty.
F		1
G		1
M		1
P		1
T		2
U		2
R		5
S		3

	M4 5	
	3/16" 7	

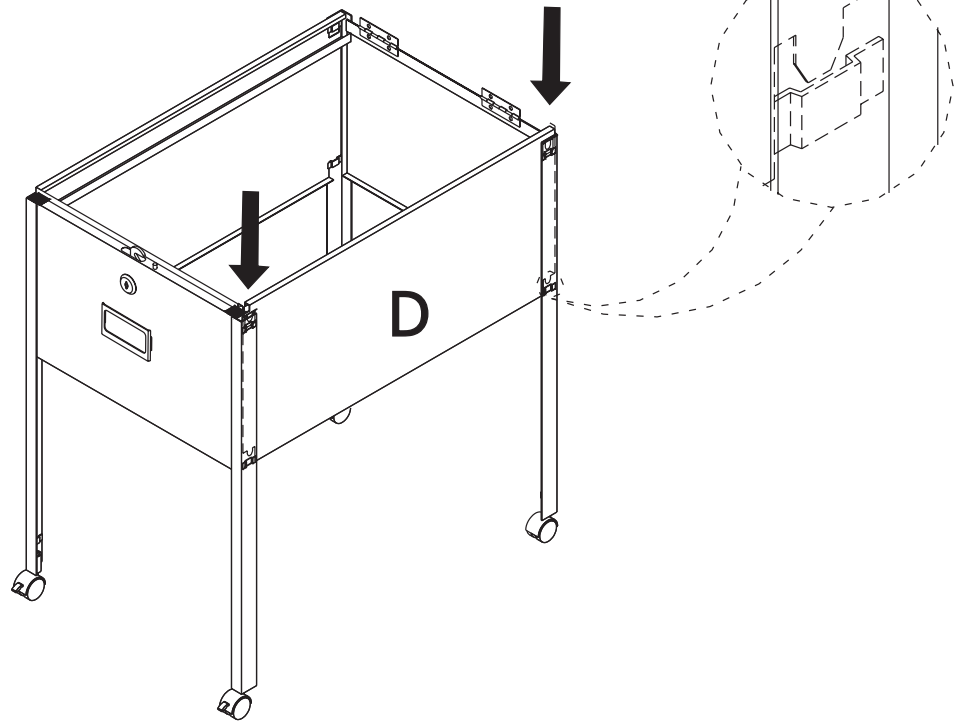
1



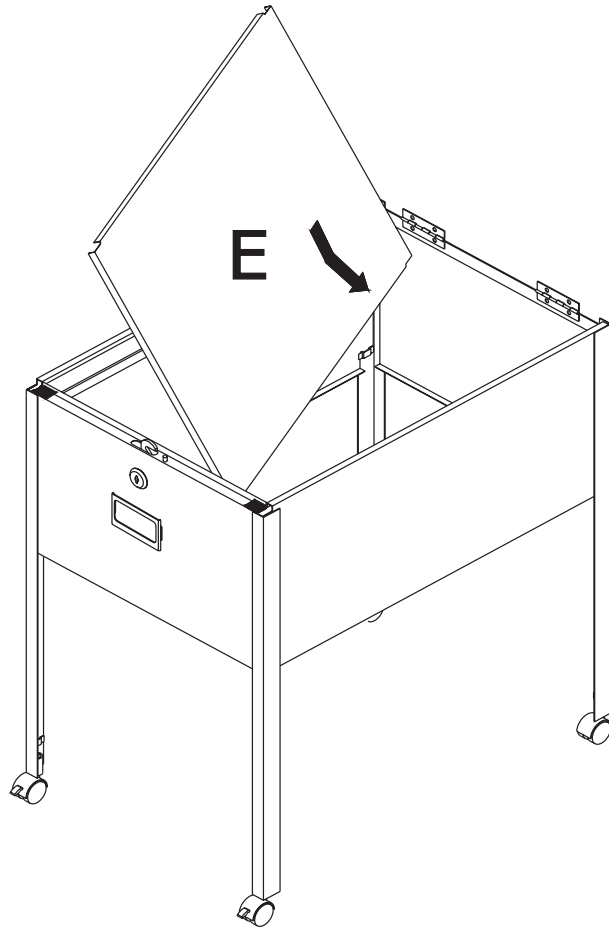
2



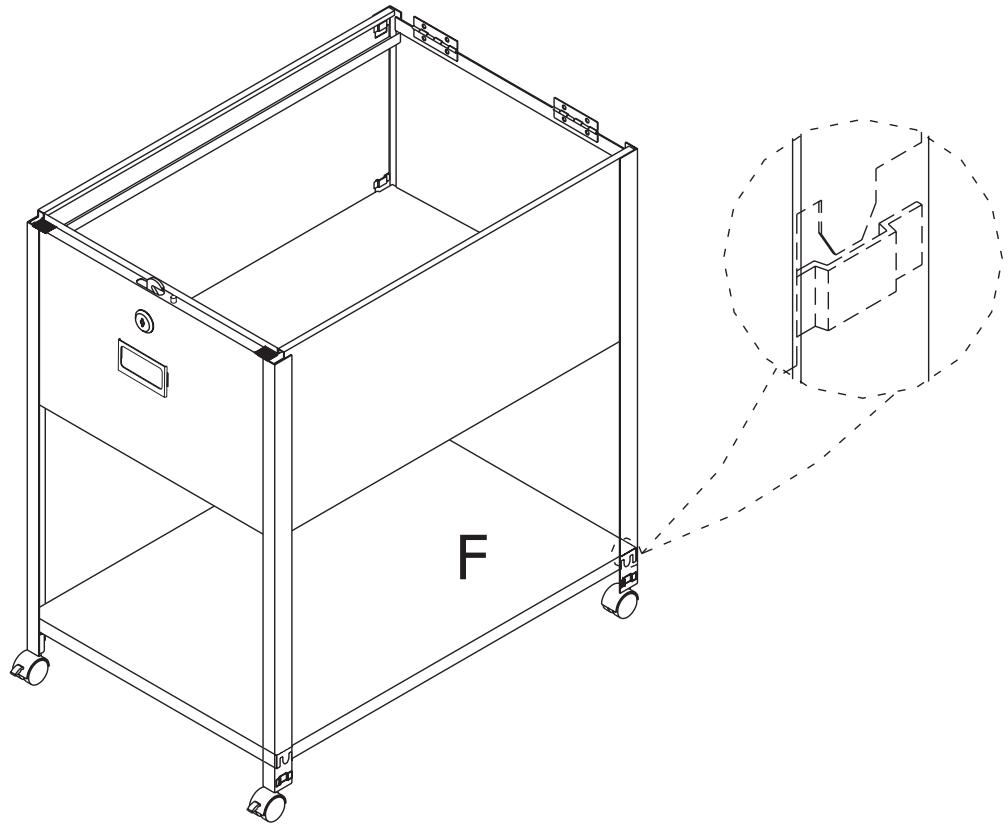
3



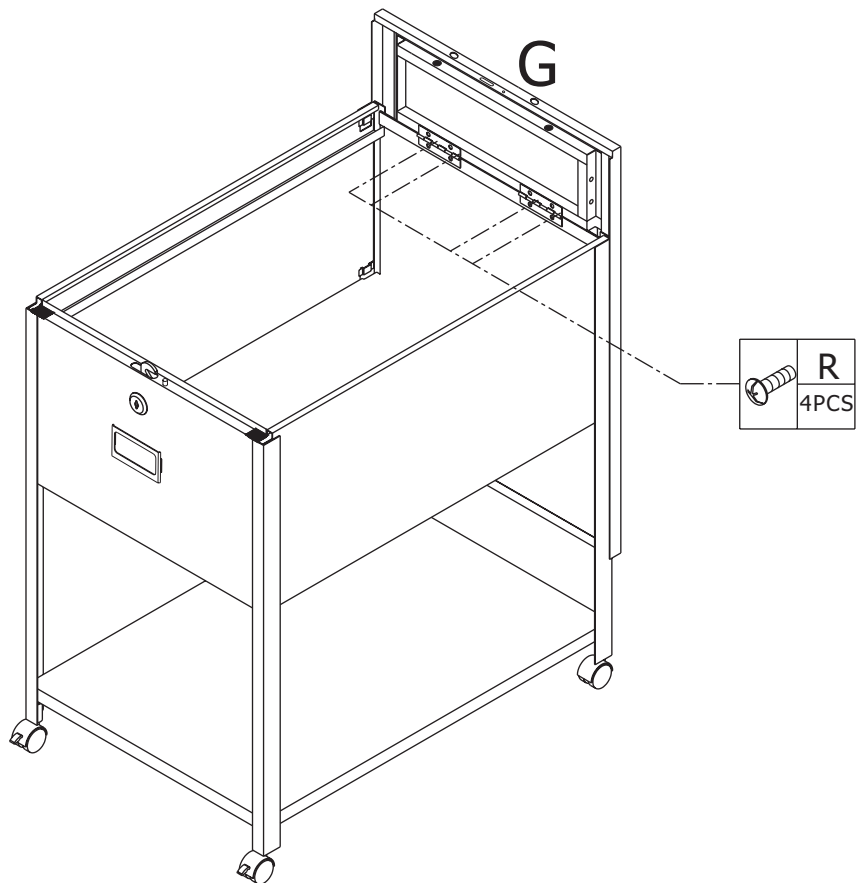
4



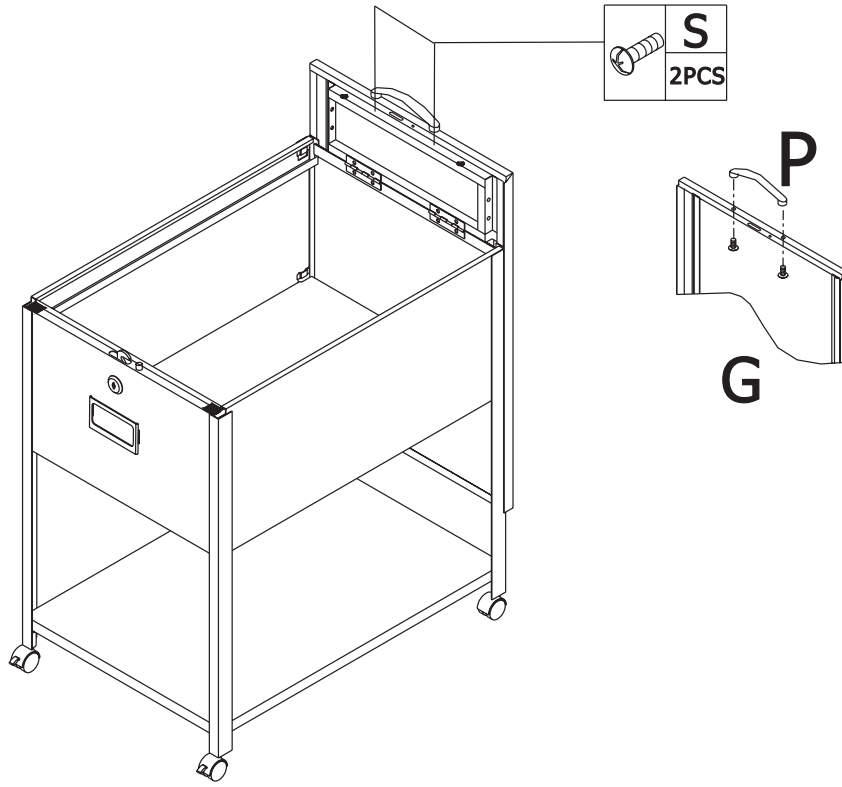
5



6



7



8

