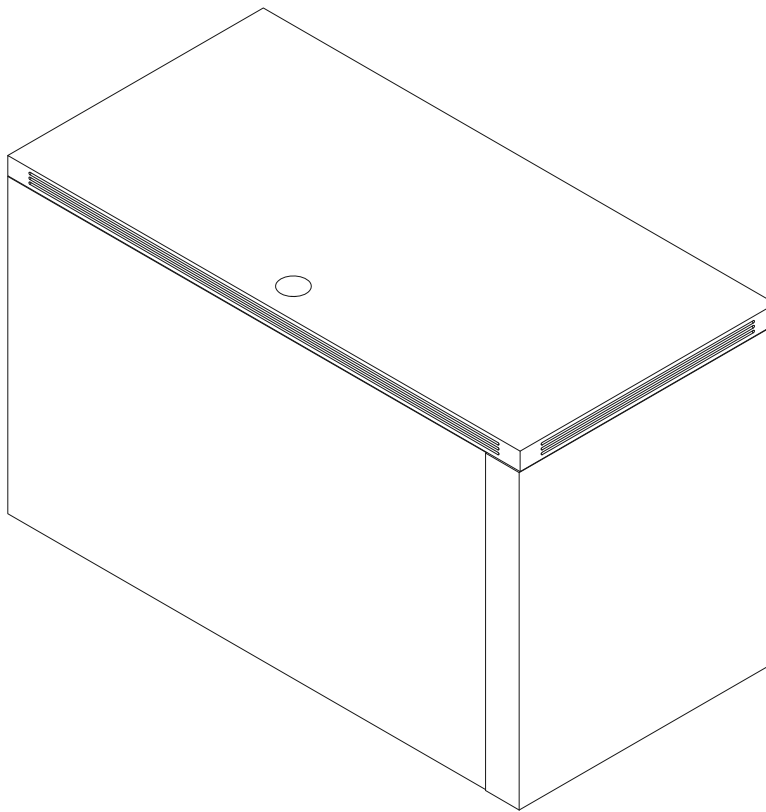




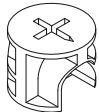


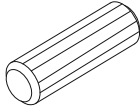
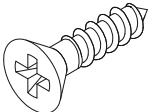
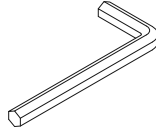
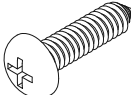
Aberdeen® Series
Return Desk - Height Adjustable
Model No. ARTHA48

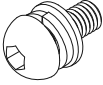
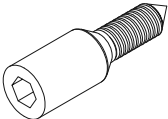
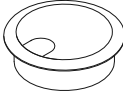
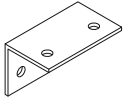
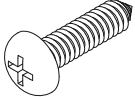
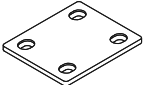
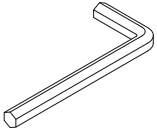


ASSEMBLY INSTRUCTIONS

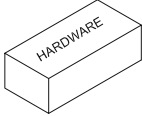
CALL 1-800-822-8037 FOR ASSISTANCE

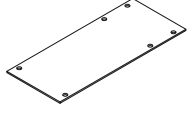
PARTS LIST ARTHA48

Name	Part	Qty.	Spare Qty
A	 REALS001 Cam Lock	2	1
B	 REALS102 Cam Sticker	2	1
C	 REALS003 Cam Post	2	1
D	 REALS004 Wood Dowel	2	1
E	 REALS005 Wood Screw Ø4*16	28	1
F	 REALS435 Allen Wrench 4mm	1	
G	 REALS443 Ø5x45mm	4	

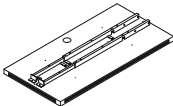
Name	Part	Qty.	Spare Qty
H	 REALS436 M6*15	9	1
I	 REALS434 M6*33	4	1
J	 REALS100 Grommet	1	
K	 REALBY047 Corner Bracket	5	
L	 REALS439 Ø5x20mm	3	
M	 REALS161 Plate	2	
N	 REALS084 Allen Wrench 5mm	1	

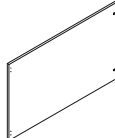
PARTS LIST ARTHA48

Name	Part	Qty.
	 ARTHA48HB	1

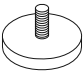
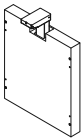
Name	Part	Qty.
Q	 Wire Management Tray	2

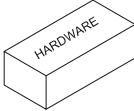
PARTS LIST ARTHA48

Name	Part	Qty.
O	 TOP	1

Name	Part	Qty.
P	 Fixed Modesty Panel	1

PARTS LIST ARBHA

R	 REALS437 Levelers	3
S	 Leg	1

	 ARBHAHB	1
--	---	----------

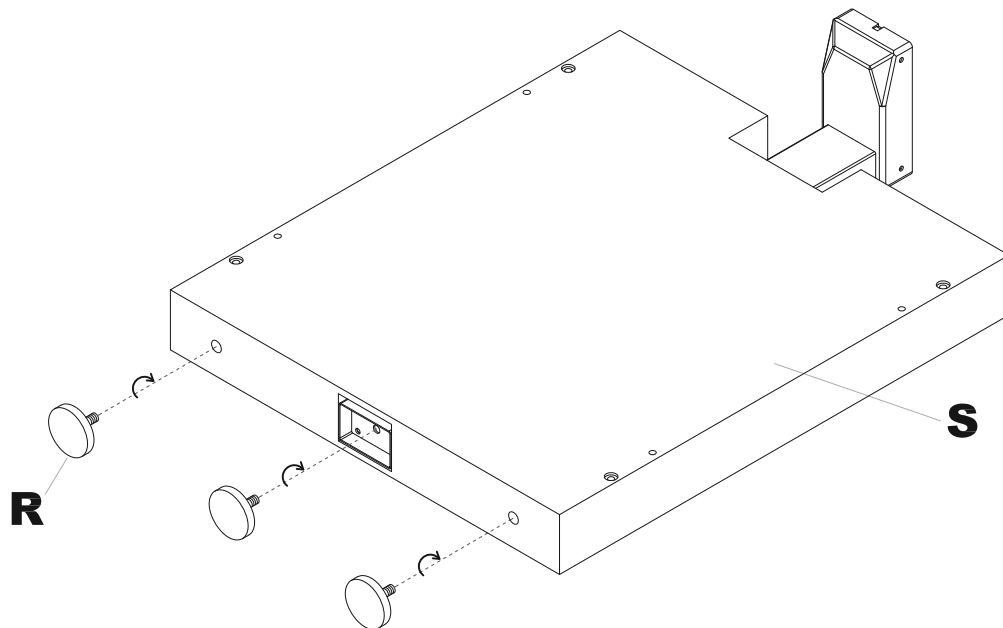
NOTE:

- ①. 1 TOP and 1 Fixed Modesty Panel and 1 Wire Management Tray with Hardware packed in one carton - ARTHA48.
- ②. 1 Legs packed in one carton

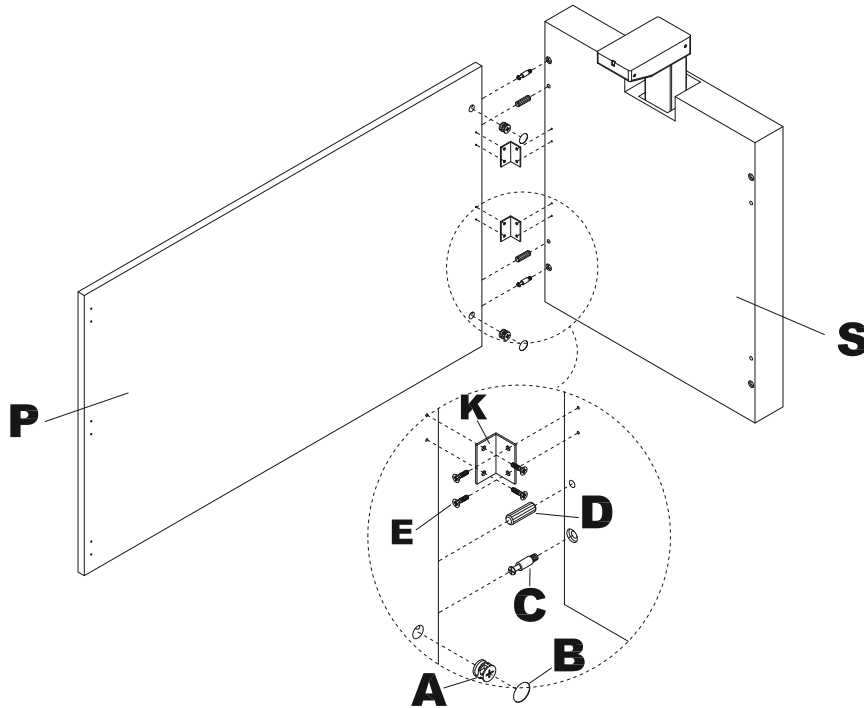
IMPORTANT!

Review ALL instructions before beginning assembly. These instructions are provided to avoid problems that may occur from improper assembly or installation. Mayline and/or its distributor are not responsible for failure resulting from improper assembly or installation of this product. Moreover, all warranties are void for failure to follow these assembly instructions.

- 1 install the Levelers (R) into the Leg (S)

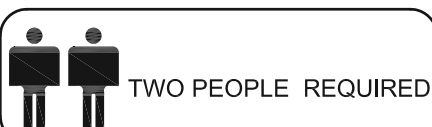
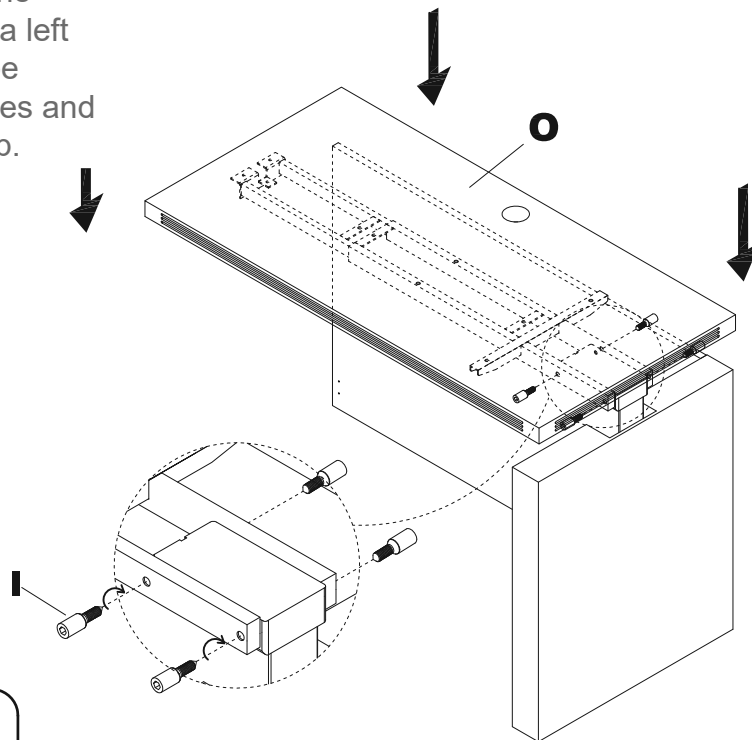


- 2** Insert Wood Dowels (D) into the Fixed Modesty Panel (P), Insert Cams(A) into Fixed Modesty Panel (P). Install Cam Posts (C) into threaded inserts in Leg (S). Attach Fixed Modesty Panel (P) to Leg (S) by turning Cams (A). Attach Fixed Modesty Panel(P) to Leg (S) by turning Cams (A). Attach Stickers (B) over Cams (A).

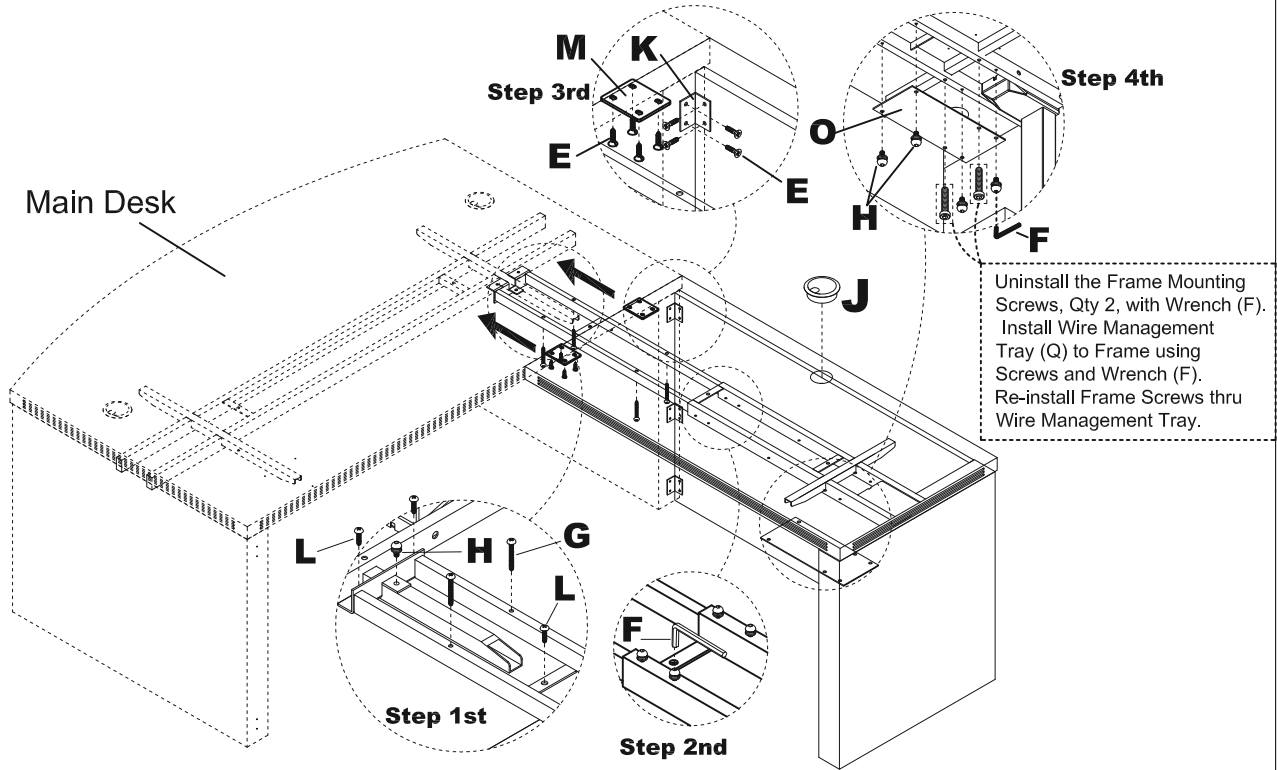


- 3** Put the Top (O) on the Leg (S); Install the Top (O) to the Leg (D) by Screw (I)

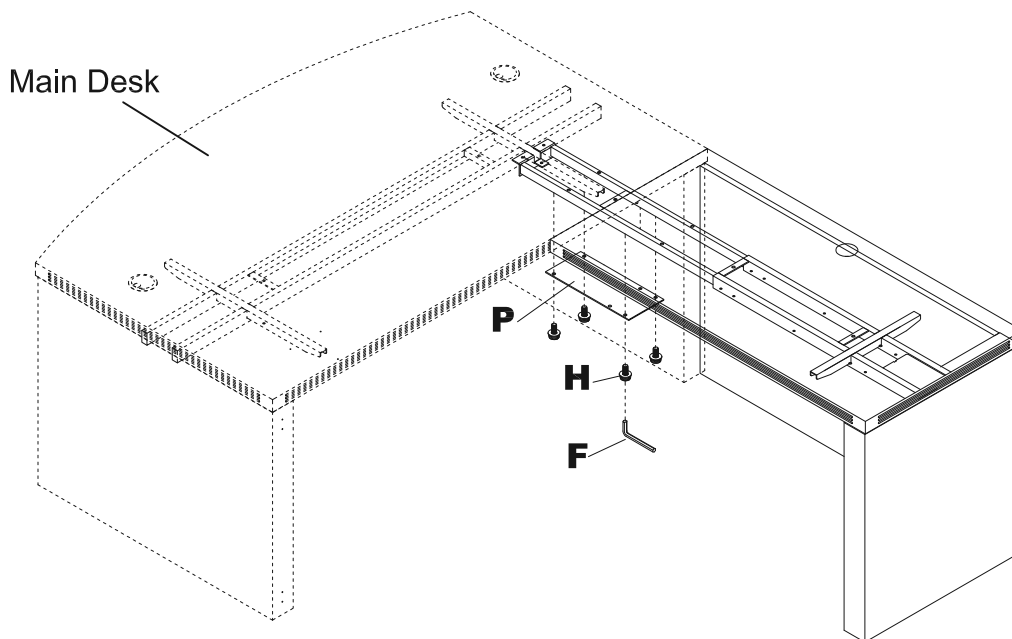
The rail is pre-assembled to the bottom of the return top. For a left handed return, the rail must be unscrewed, turned 180 degrees and re-assembled to the return top.



- ④ Unscrew the Screw, Slide the Adjustable Cross Bar (O) to suitable position, Use the Screw (G), (L), (H) to attach the Adjustable Cross Bar (O). Tighten the Screw back. Use Screw (E) and Corner Bracket (K) to attach the Fixed Modesty Panel (P) and the Leg of the Main Desk. Put the Grommets (J) to the Top (O). Use Screw (E) and Plate (M) to attach the Top (O) and the Top of the Main Desk.



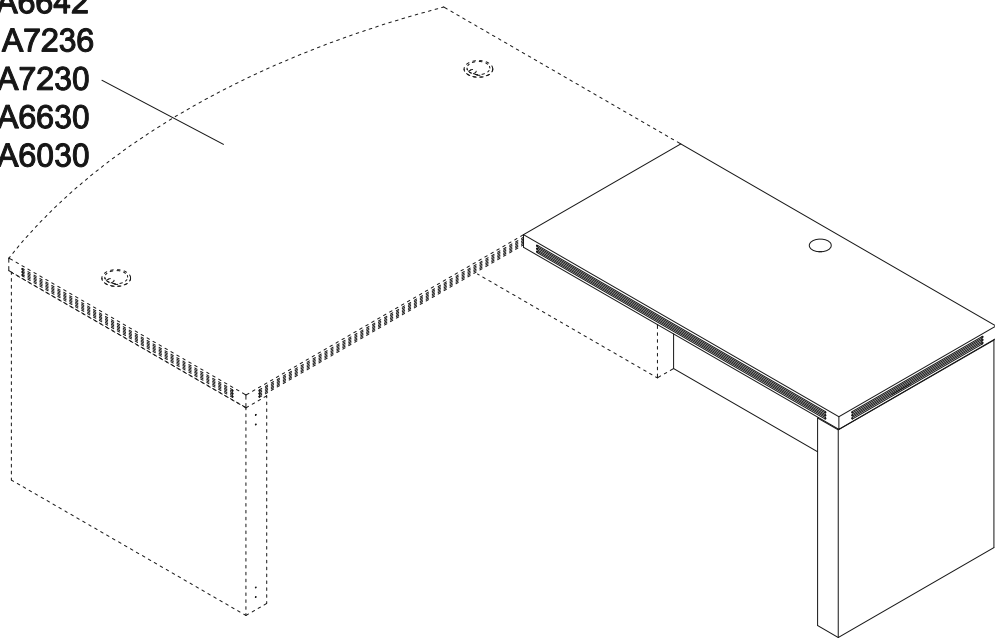
- ⑤ Install Wire Management Tray (Q) to Frame using Screws (H) and Wrench (F).



NOTE: Before assembly the top to metal frame, adjust the **SAME HEIGHT** of both **wood legs**

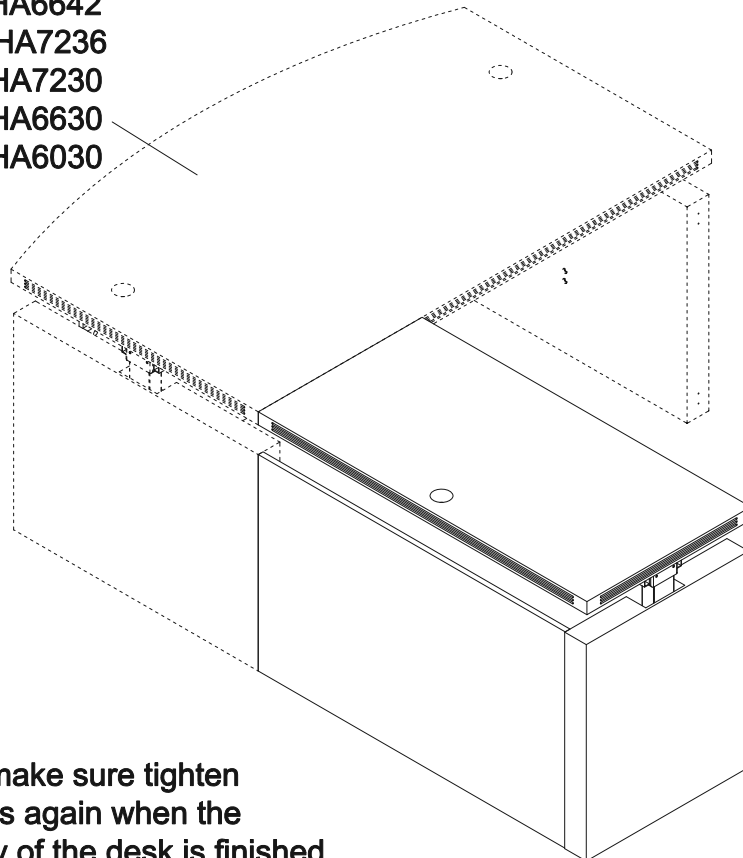
6 The Return Desk can be installed to Left or Right.

ABDHA7242
ABDHA6642
ARDHA7236
ARDHA7230
ARDHA6630
ARDHA6030



or

ABDHA7242
ABDHA6642
ARDHA7236
ARDHA7230
ARDHA6630
ARDHA6030



Notes: Please make sure tighten
all screws again when the
assembly of the desk is finished.



Make sure no obstacles are in the desk's path.

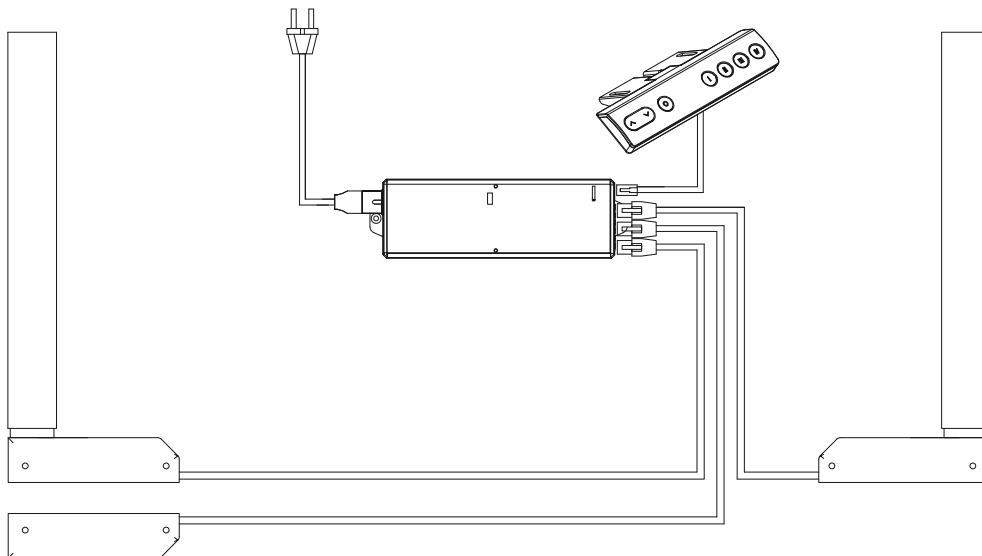
Make sure the desktop is not touching any walls.



Make sure all cords are appropriate length to accommodate the change in height.

IMPORTANT: You must INITIALIZE the desk prior to first use.

Controller Initialization- Press and hold the Down button on the controller until the desk reaches its lowest height, slightly raises, and stops. Release the down button, your desk is now ready for use. (Following the "USER MANUALS" to use your desk)



TROUBLESHOOTING

If the table is not functioning properly it may need to be reset. Unplug the power cord for 20 seconds. Plug the power cord back in and follow the RESET procedures;

If the error message persists after the reset procedure, please contact your dealer;

If the height between the legs exceeds 1.5 inches, stop the reset procedure, please contact your dealer;