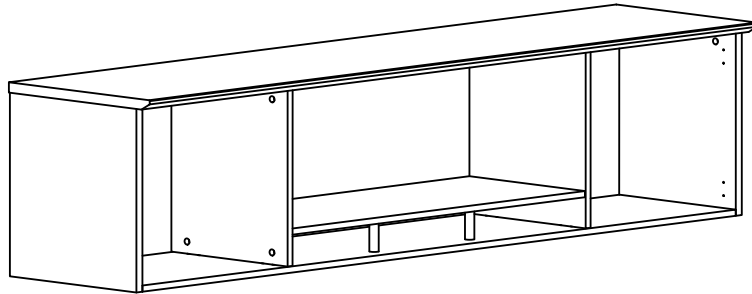


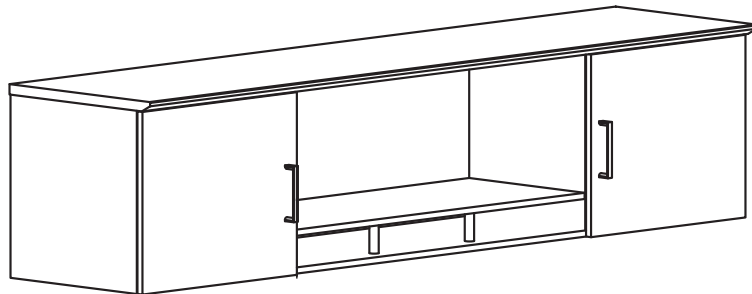


RESH72 / RESHDRKT / RESHGDRKT

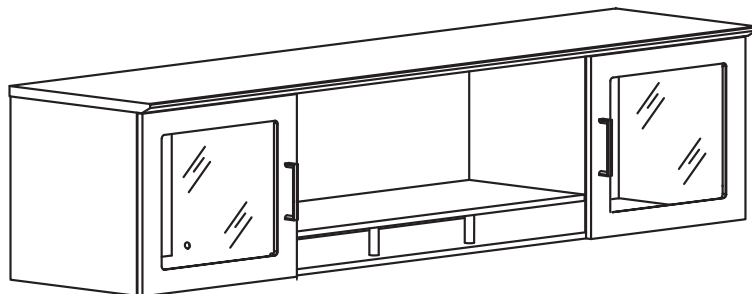
Resi™ Hutch with Doors



Model RESH72 shown



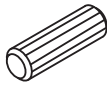






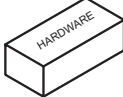
Model RESH72 + RESHDRKT shown




Model RESH72 + RESHGDRKT shown

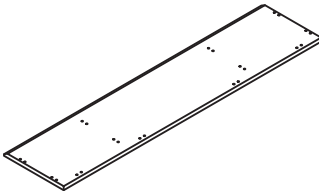
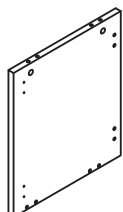
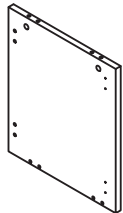
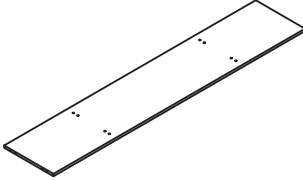
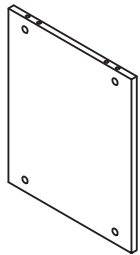
For questions or concerns, please call 1-888-971-6225
Available Monday - Friday 7:30 AM to 5:00 PM (Central Time)
(English-speaking operators)

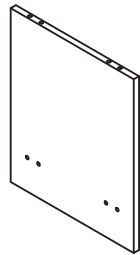
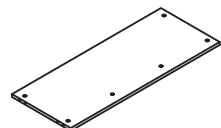
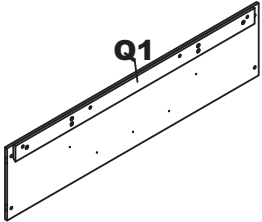
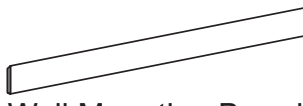
PARTS LIST

Name	Part	Qty.	Spare Qty.
A	 Wood Dowel	32	1
B	 Cam Post	32	1
C	 Cam Lock	32	1
D	 Cam Sticker	32	1
E	 Stand-off Ø20*76	2	
F	 Screws M6*25	2	
F1	 Screws Ø3.5*35	5	1
	 RESH72WH HB		





Pre-Assembled Replacement Part List			
	 Screws M8*25	6	


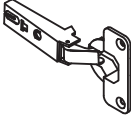

PARTS LIST

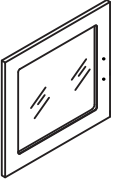

Name	Part	Qty.
J	 Top	1
K	 Left Side Panel	1
L	 Right Side Panel	1
M	 Bottom Panel	1
N	 Left Divider Panel	1

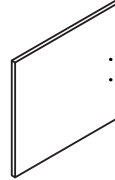
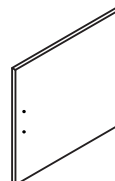
Name	Part	Qty.
O	 Right Divider Panel	1
P	 Shelf Panel	1
Q	 Back Panel + Q1	1
R	 Wall Mounting Board	1

PARTS LIST

Name	Part	Qty.	Spare Qty.
S	 ^{HB} Handle with Screws	2	1
T	 ^{HB} Door Wing for Hinge	4	
U	 ^{HB} Screw Ø4 x 16mm	8	
	 RESHGDRKT RESHDRKT		

Pre-Assembled Replacement Part List			
	 Screw Ø4 x 16mm	8	
	 Door Wing for Hinge	4	
	 Bumper	4	

Name	Part	Qty.
V	 Left Door	1
W	 Right Door	1

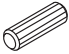



Name	Part	Qty.
V1	 Left Door	1
W1	 Right Door	1

IMPORTANT!

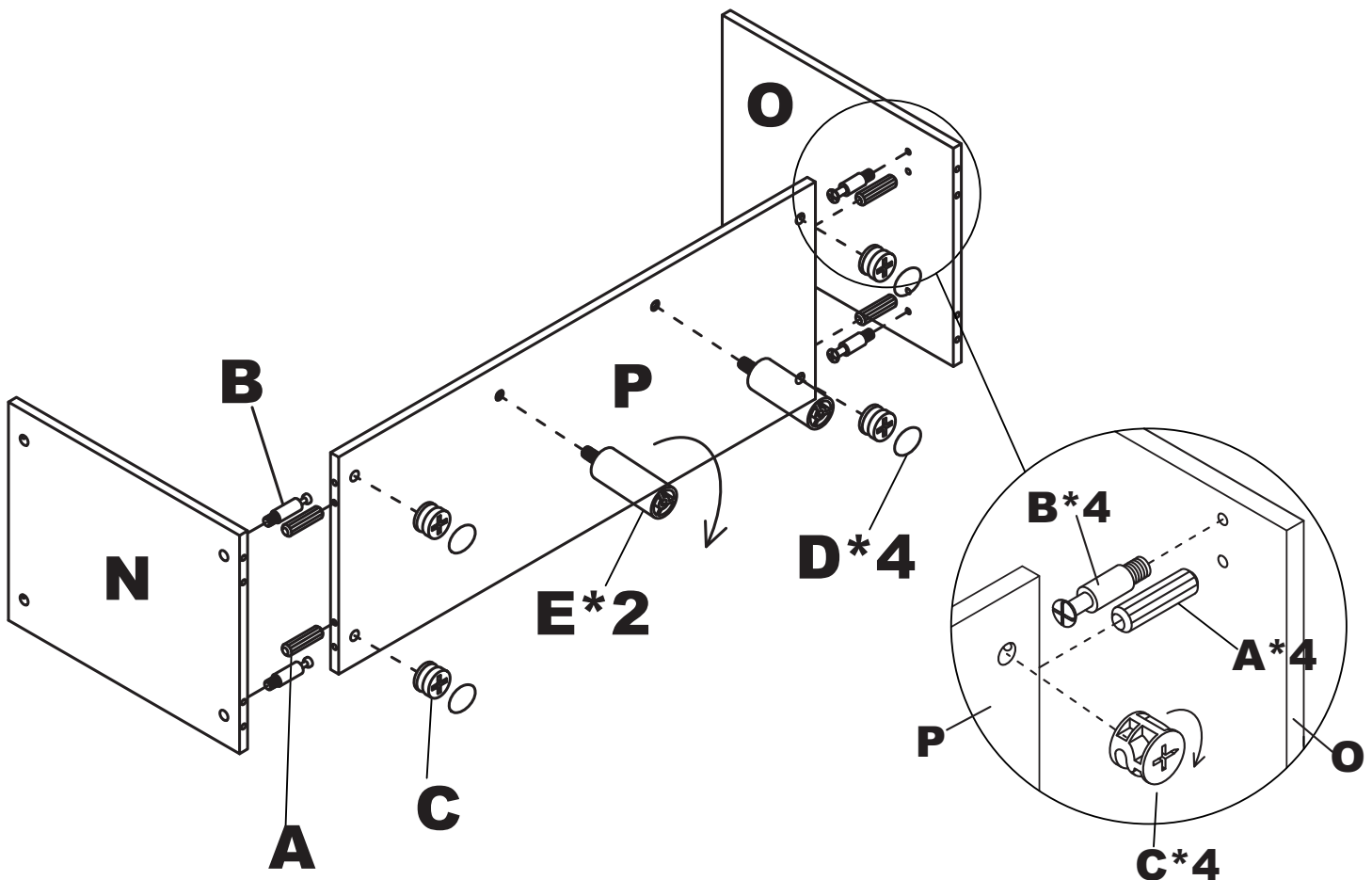
Review **ALL** instructions before beginning assembly.

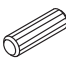




These instructions are provided to avoid problems that may occur from improper assembly or installation.

SAFCO and/or its distributor are not responsible for failure resulting from improper assembly or installation of this product. Moreover, all warranties are void for failure to follow these assembly instructions.

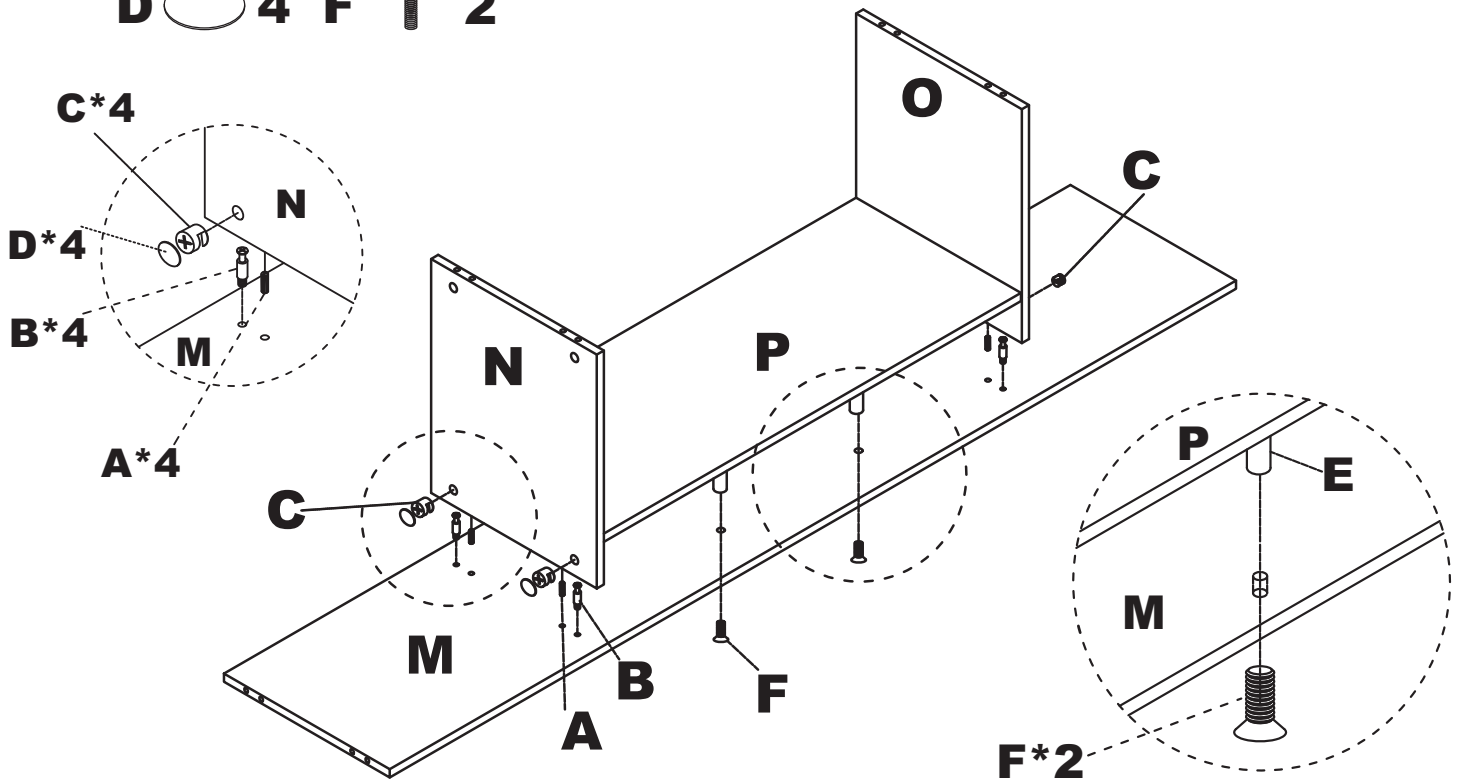
- 1** **A**  **4** **B**  **4** **C**  **4**
D  **4** **E**  **2**

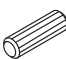



NOTE: Insert Cams first, and align arrow towards the hole the cam post fits into.



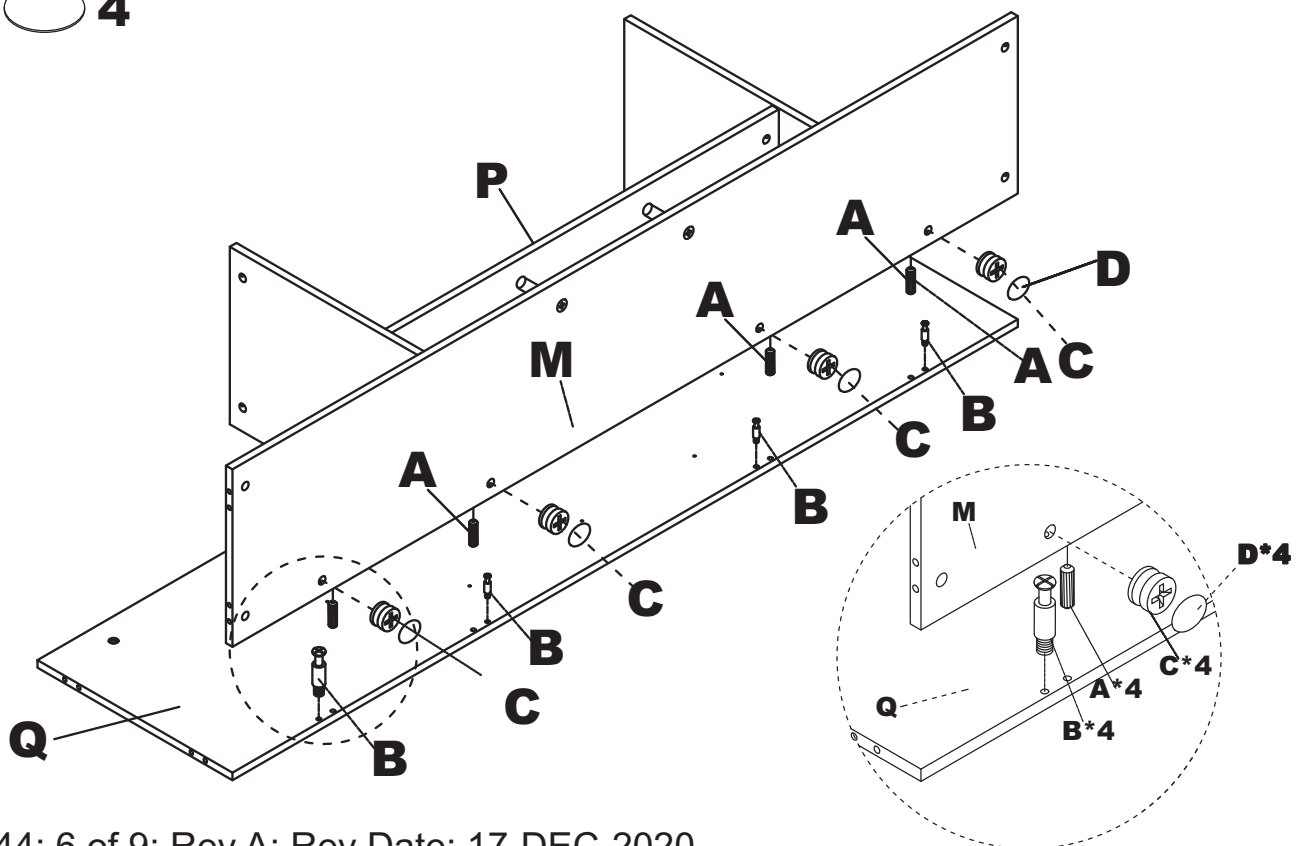
- 2** **A**  **4** **B**  **4** **C**  **4**
D  **4** **F**  **2**

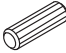



NOTE: Insert Cams first, and align arrow towards the hole the cam post fits into.



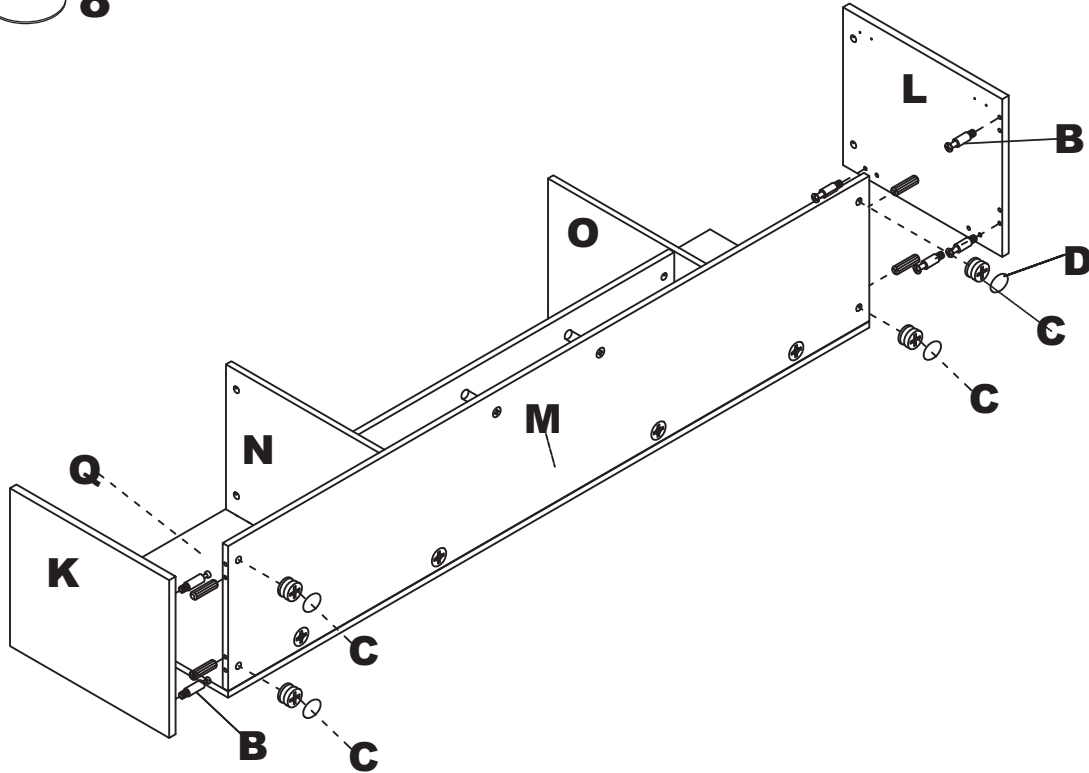
- 3** **A**  **4** **B**  **4** **C**  **4**
D  **4**

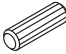



NOTE: Insert Cams first, and align arrow towards the hole the cam post fits into.



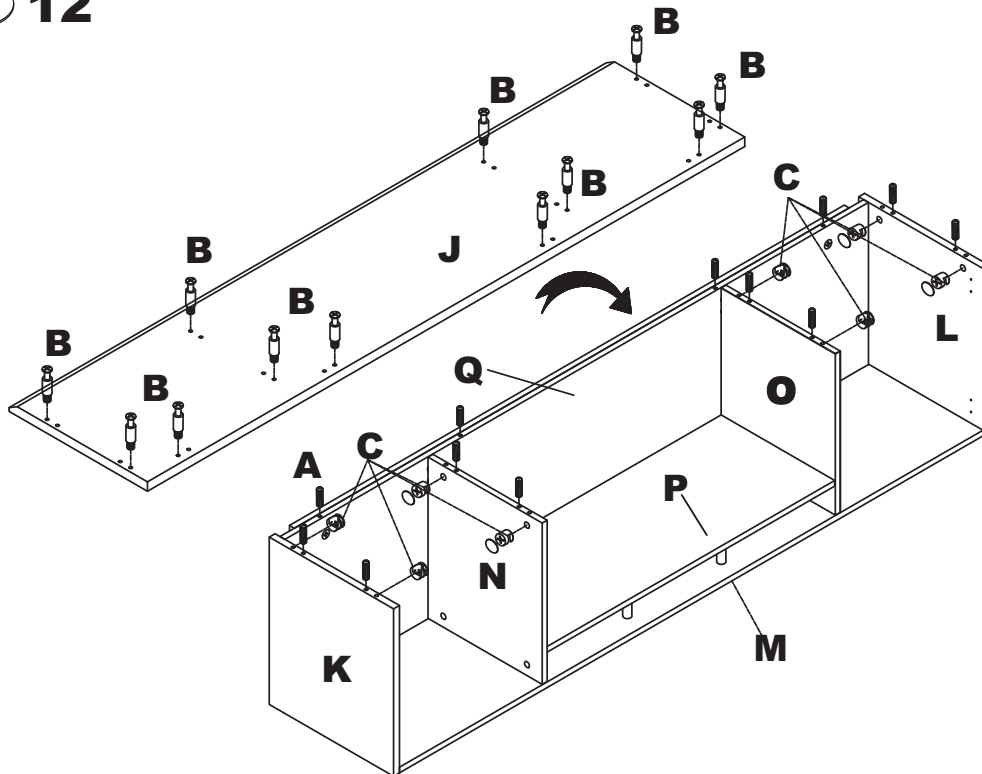
- 4** **A**  **8** **B**  **8** **C**  **8**
D  **8**

NOTE: Insert Cams first, and align arrow towards the hole the cam post fits into.

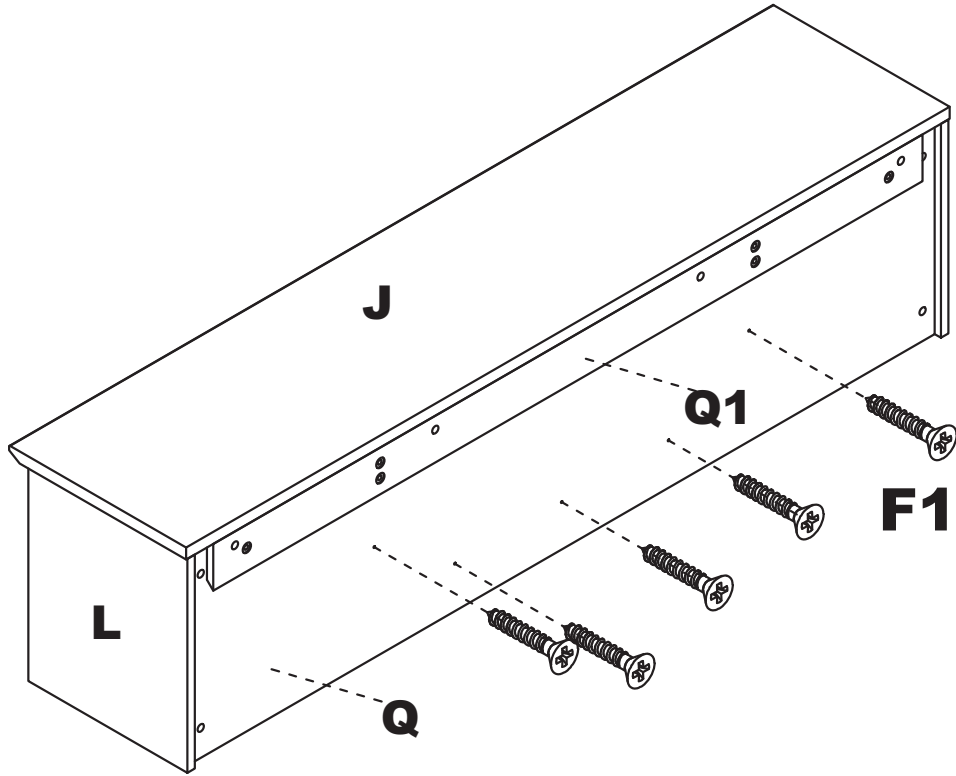


- 5** **A**  **12** **B**  **12** **C**  **8**
D  **12**

NOTE: Insert Cams first, and align arrow towards the hole the cam post fits into.

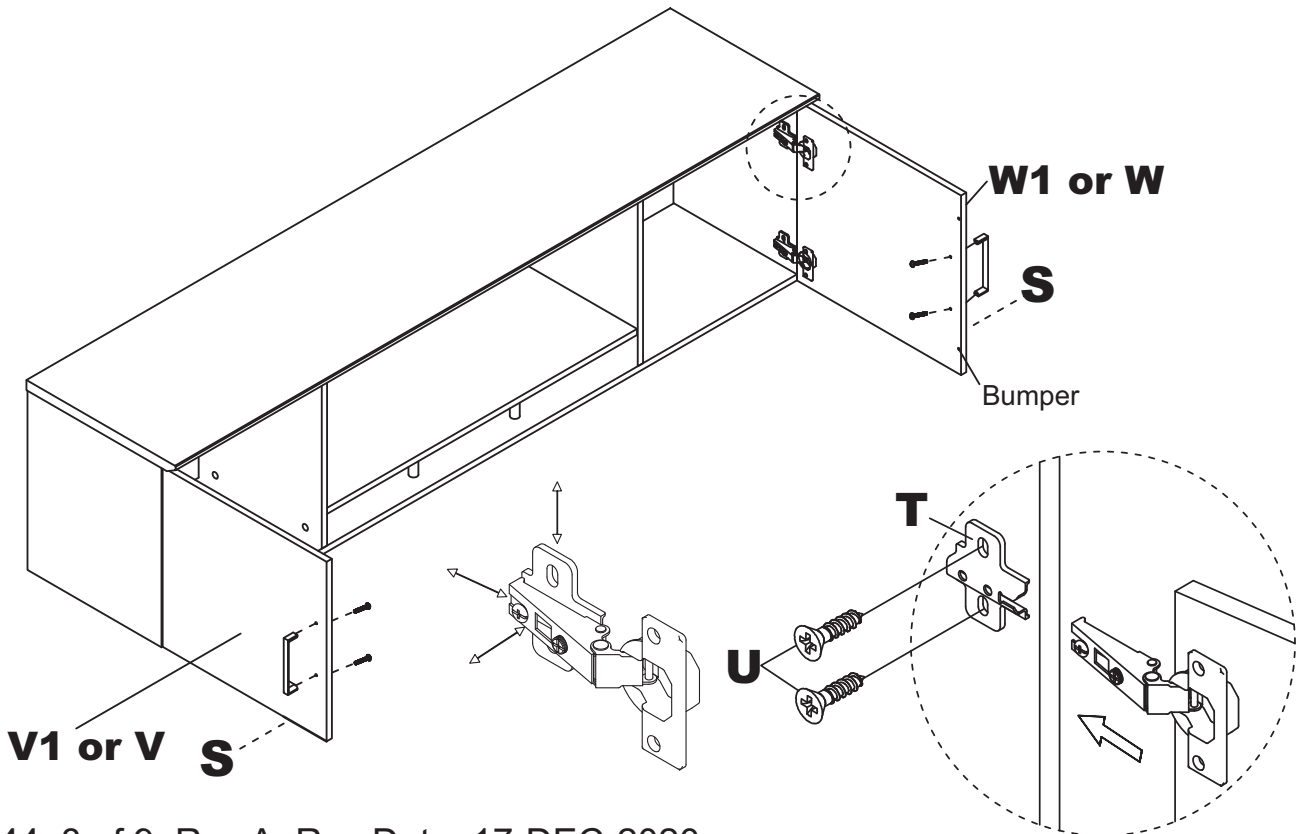


6 F1 5



7 S 2 T 4 U 8

NOTE: Step only if RESHDRKT or RESHGDRKT are ordered



- 8 Mounting Board Installation - Due to the various wall construction methods, it is up to a professional installer to secure the Wall Mounting Board to the wall with the proper fasteners and/or anchors as required by the wall construction at the desired location.

Safco does not take responsibility for safe, proper fastening.

To Hang Hutch - Position hutch so that Hutch Assembly is above Wall Mounting Board and lower Hutch Assembly until Wall Mounting Board lock together.

