

# 4-POST SHELF BIN DIVIDER INSTALLATION INSTRUCTIONS

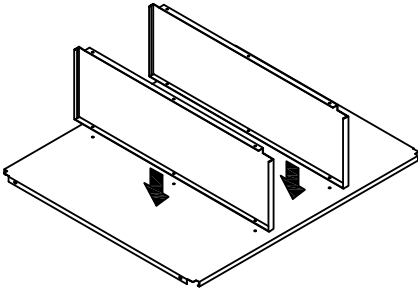
## BEGIN THIS ASSEMBLY AT THE BOTTOM

### 1. BOTTOM SHELF ONLY:

Position dividers with corner notches to top.

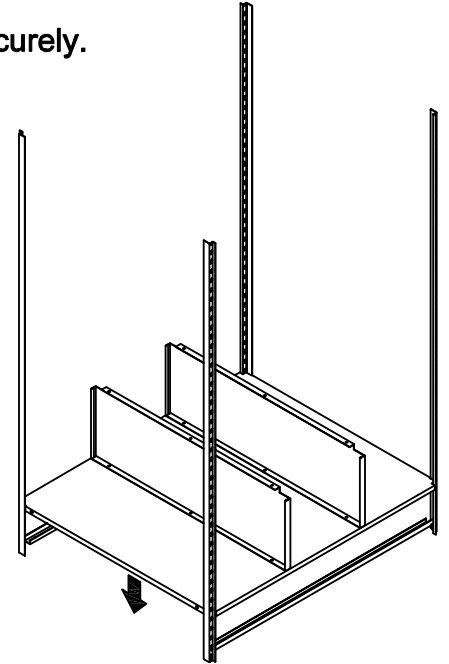
Align holes in divider with holes in shelf.

Fasten with screws and nuts. Tighten securely.



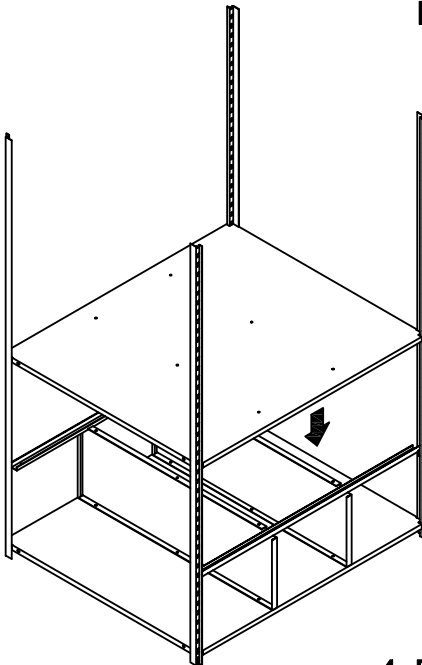
### 2. WITH LOWER SHELF SUPPORTS IN PLACE:

Install Bottom divider/shelf assembly



### 3. Install shelf supports at proper location for the next shelf.

Place shelf into position.

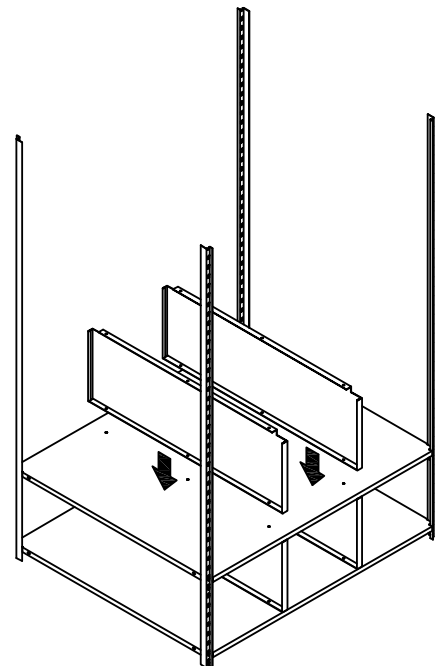


### 4. Position dividers with notches toward top.

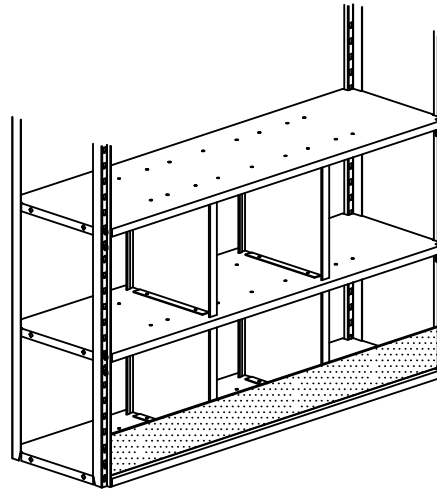
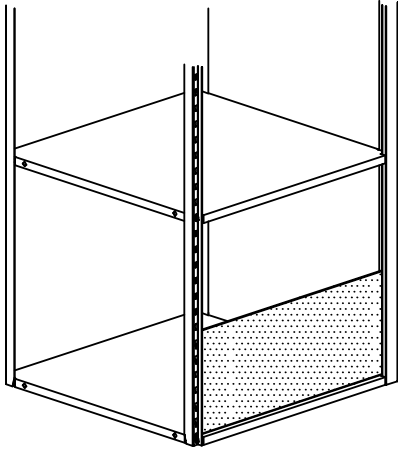
Align divider holes with shelf holes and divider holes in bottom shelf/divider assembly.

Insert screws through holes in dividers and shelf. Secure in place with nuts. Tighten securely.

Continue in the same manner to the top of assembly.

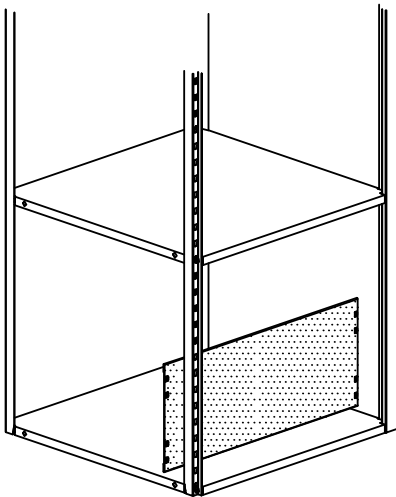


## 4-POST BIN PANEL INSTALLATION INSTRUCTIONS



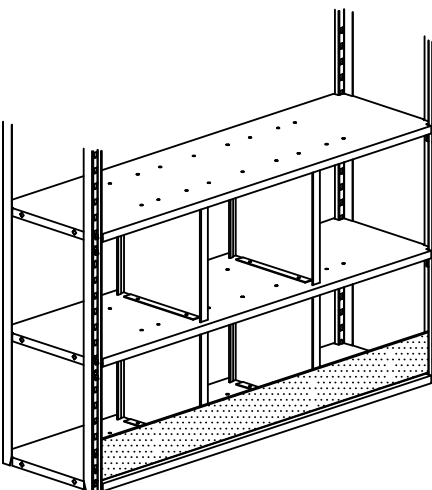
Bin Panel tabs fit into the upright slots at the front and/or back of the 4-Post shelves. Bin Panels will fit in front of Bin Dividers panels to create separate storage bins across shelves.

---



Assemble the 4 Post product per the instructions provided with that product. Locate shelves at the desired location.

1. Place the Bin Panel into the desired space.
  2. Align all the Bin Panel tabs with the slots on the inside of the uprights. When all tabs are aligned and inserted, firmly press down.
  3. A rubber mallet may be used to securely locate bin panel in position.
- 



Assemble the 4 Post product per the instructions provided with that product. Install shelves and dividers per the instructions on page 1 of this instruction sheet.

1. Place the Bin Panel into the desired space in front of the installed divider panels.
2. Align all the Bin Panel tabs with the slots on the inside of the uprights. When all tabs are aligned and inserted, firmly press down.
3. A rubber mallet may be used to securely locate bin panel in position.

Multiple holes across the width of the shelf allow bin configurations of various widths.

