

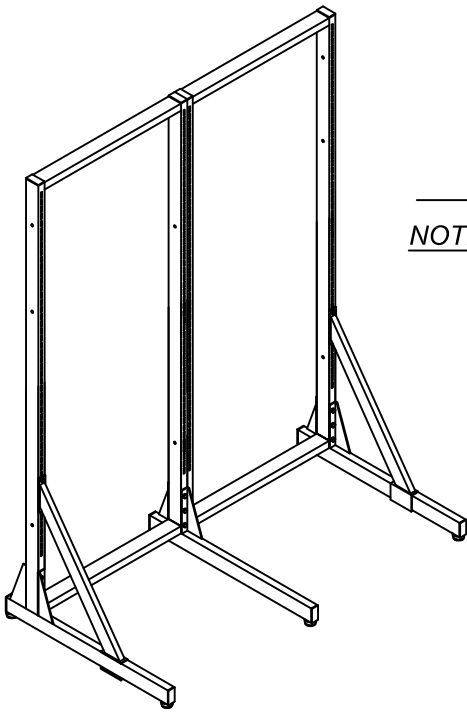
# ASSEMBLY INSTRUCTIONS

## MAYTRIX™ LAN FURNITURE

### FRAME BRACE

**NOTE:** Please count and inspect all pieces before disposing of any carton or packing materials.

When ordering components, specific color and/or size information may be required.  
Contact a Safco Customer Service Representative. 1-888-971-6225



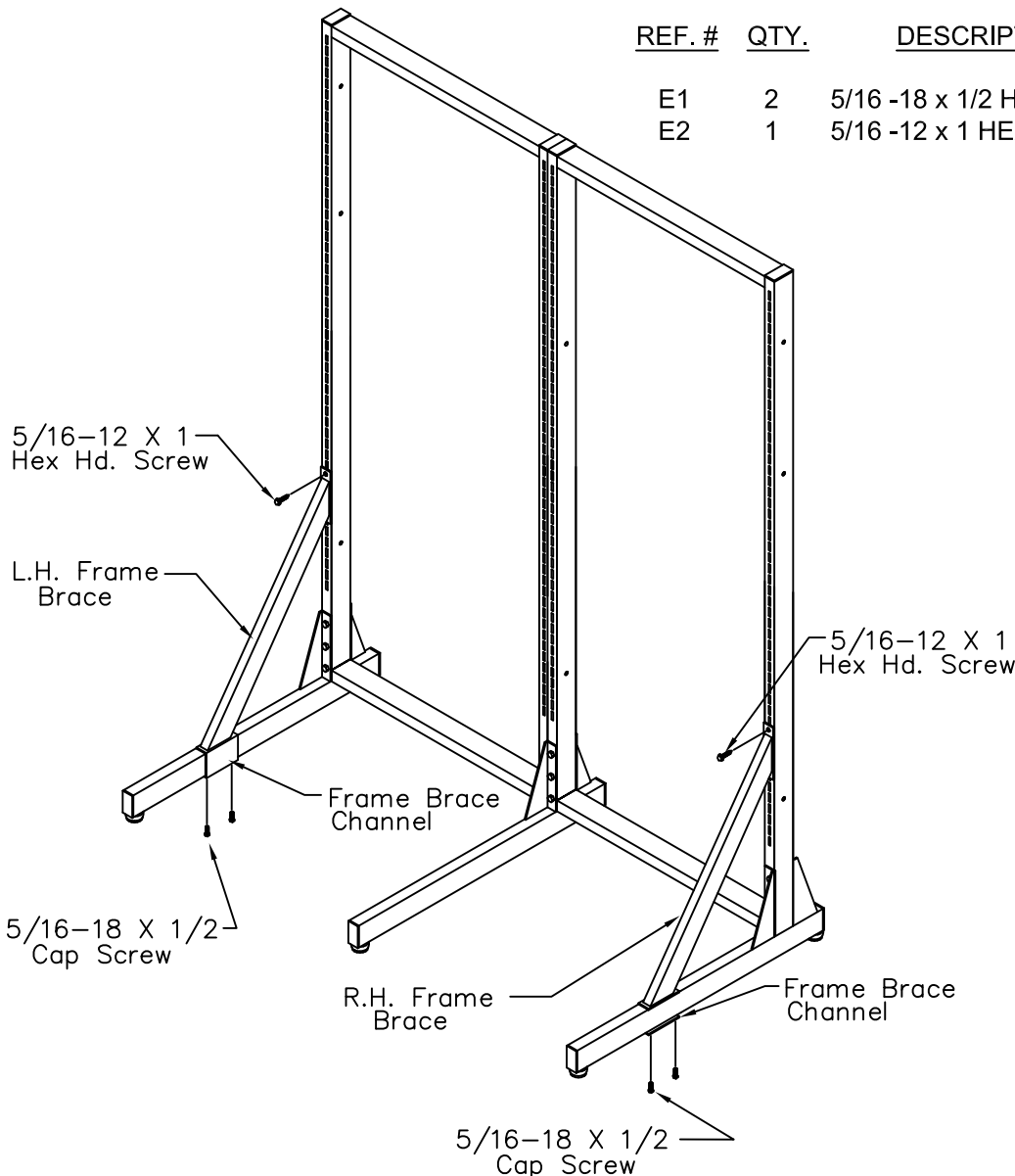
COMPONENTS: 350325			** Denotes Color Code
REF.#	QTY.	DESCRIPTION	PART No.
1	1	R.H. BRACE ASSEMBLY	A4898**
2	1	L.H. BRACE ASSEMBLY	A4897**

COMPONENTS: 350325R			
REF.#	QTY.	DESCRIPTION	PART No.
1	1	R.H. BRACE ASSEMBLY	A4898**

COMPONENTS: 350325L			
REF.#	QTY.	DESCRIPTION	PART No.
1	1	L.H. BRACE ASSEMBLY	A4897**

**HARDWARE BAG (PART No. A4901)** \*for individual item, order that part number

REF. #	QTY.	DESCRIPTION	PART No.
E1	2	5/16 -18 x 1/2 HEX HEAD SCREW	X334*
E2	1	5/16 -12 x 1 HEX HEAD SCREW	X187*



**NOTE:** ALL HARDWARE MAY NOT BE USED IN YOUR APPLICATION.

1. Position Frame Brace as shown with open side of channel facing outboard.
2. Attach Frame Brace to frame using one 5/16-12 x 1 Hex Head Screw.
3. Tighten the two 5/16-18 x 1/2 Cap Screws on Frame Brace Channel until Brace is tightly in place.

**NOTE:** IF YOUR APPLICATION REQUIRES MORE THAN ONE BRACE, REPEAT STEPS 1 THROUGH 3 ON THE OPPOSITE SIDE.

**SAFCO**<sup>®</sup>  
www.safcoproducts.com

For questions or concerns, please call 1-888-971-6225 available Monday-Friday 7:30AM to 5:00 PM (Central Time) (English-speaking operators)