



TECHWORKS SURVEY

Project Name _____

Bid Deadline Date _____

Project Leadtime Required _____

Project Install Date _____

% Chance of Winning Bid _____

Dealer Sales Rep. _____

Project Type

Commercial GSA State of _____ Contract

Type of Work Surface - 26”H - 38”H Manual Height Adjustable

Benches Tables Electric Height Adjustable Table

Work Surface Finish

High Pressure Laminate-HPL Thermally Fused Laminate-TFL Butcher Block ESD
 Stainless Steel Chemical Resistant Laminate (White Only) Phenolic Resin (Black Only)

Work Surface Depth

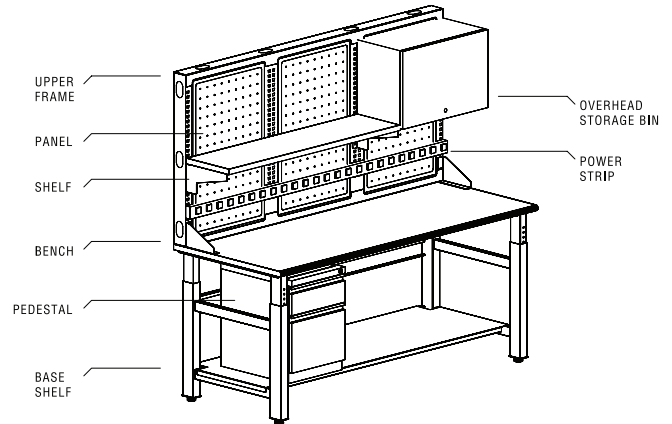
24”
 30”
 36”

Frame Height

24”
 36”
 48”

Shelves -

Upper Shelf 12”D 18”D
 Base Shelf Partial Depth Full Depth



Accessories:

Panels

White Board
 Peg Board
 Fabric

Electrical

Service Bar
 Power Strip
 Telecom Channel
 Overhead Light
 Cable Management

Storage

Utility Drawer-6”H
 Overhead Storage Bin
 Pedestal
 Part Bin Panel

More Accessories

Keyboard Support
 Pull-out Writing Shelf
 Ganging Hardware Kit
 Casters
 Monitor Arms

Storage Center:

Storage Center Accessories - (Cannot place “Storage Center Accessories” on Techworks work surface)

Modular Components:

Drawers Size: _____” W x _____” H x _____” D
 Shelf